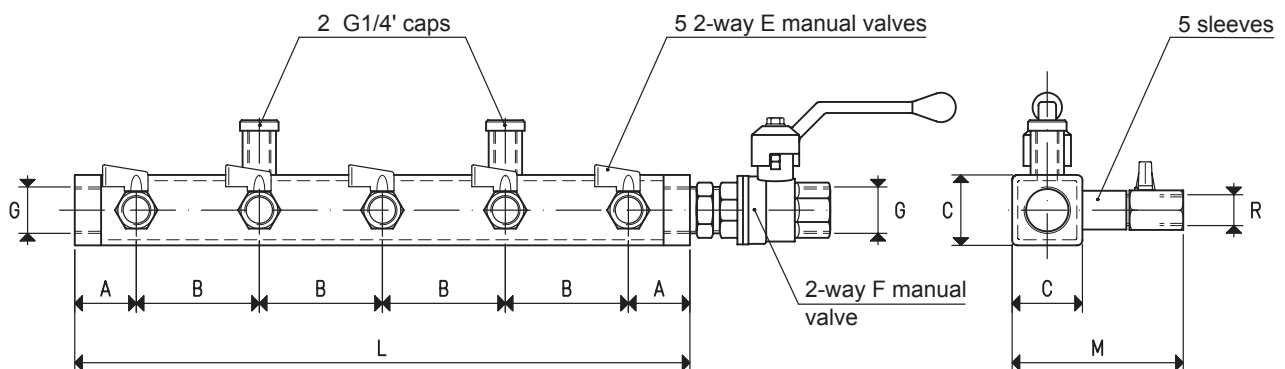
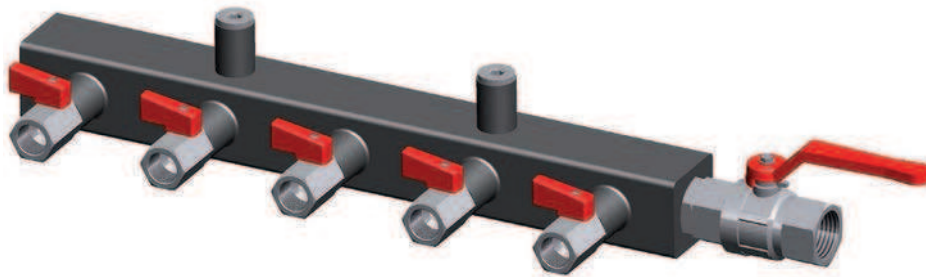


VACUUM PUMP AND PUMPSET MANIFOLDS

These manifolds are made to distribute the vacuum generated by the pumps and pumpsets to several services. They are composed of a varnished steel tubular onto which the interception valves and the connections to the vacuum level reading and control devices are installed. The manifolds described in these pages are standard. Upon request, they can be supplied with different shapes and sizes.

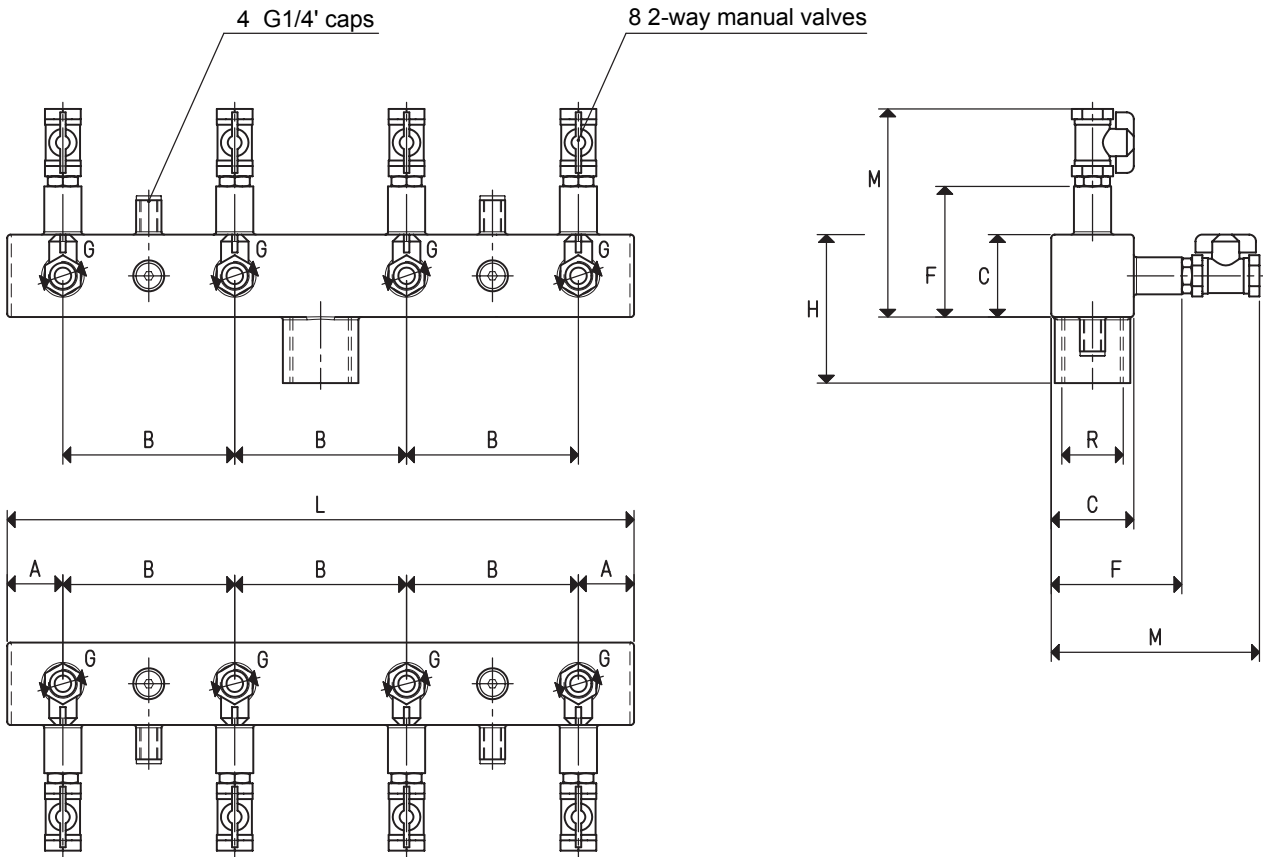


Art.	A	B	C	G	L	M	R	Manual valve E	Manual valve F	Sleeve	Weight
				Ø			Ø	art.	art.	Ø	Kg
COLL 01 03	35	70	40	G1/2"	350	100	G1/4"	13 01 11	13 03 10	G1/4"	1.75
COLL 01 04	35	70	40	G3/4"	350	100	G3/8"	13 02 11	13 04 10	G3/8"	1.90
COLL 01 05	35	70	40	G1"	350	100	G3/8"	13 02 11	13 05 10	G3/8"	2.00
COLL 01 06	40	85	60	G1"1/4	420	160	G1/2"	13 03 11	13 06 10	G1/2"	2.50
COLL 01 07	40	85	60	G1"1/2	420	160	G1/2"	13 03 11	13 07 10	G1/2"	2.60

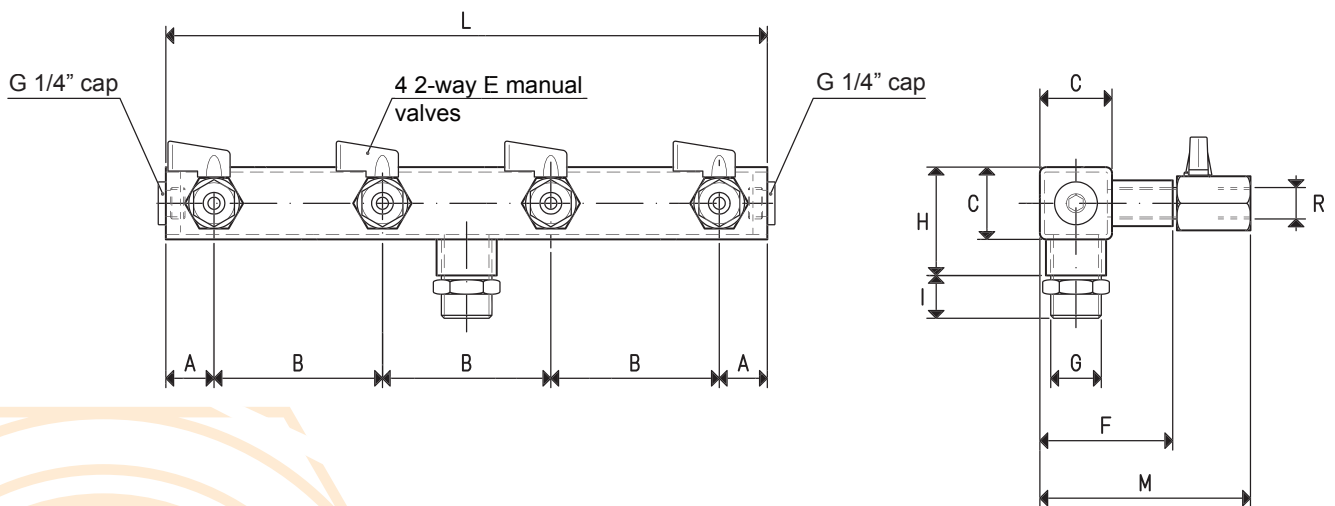
Conversion ratio: inch = $\frac{\text{mm}}{25.4}$; pounds = $\frac{\text{g}}{453.6} = \frac{\text{Kg}}{0.4536}$

GAS-NPT thread adapters available at page 1.117

VACUUM PUMP AND PUMPSET MANIFOLDS



Art.	A	B	C	F	G	H	L	M	R	Weight
					∅				∅	Kg
COLL 02 03	37.5	125	40	65	G1/4"	74	450	97	G1/2"	2.5
COLL 02 05	37.5	125	40	66	G3/8"	84	450	96	G1"	2.7
COLL 02 07	37.5	125	60	94	G1/2"	108	450	127	G1" 1/2	2.9



Art.	A	B	C	F	G	H	I	L	M	R	Manual valve E	Weight
					∅					∅	art.	Kg
COLL 03 03	20	70	30	55	G1/2"	64	21	250	87	G1/4"	13 01 11	1.2
COLL 03 05	20	70	40	66	G1"	84	21	250	96	G3/8"	13 02 11	1.4
COLL 03 07	20	70	60	94	G1" 1/2	108	24	250	127	G1/2"	13 03 11	1.5

3D drawings available at www.vuototecnica.net