

# FO OIL-BATH SUCTION FILTERS

In presence of a considerable amount of fine or impalpable dust, the traditional suction filter would require a cartridge with a filtering degree so high that, along with reducing its operation autonomy, it would also reduce the vacuum pump suction capacity.

Oil-bath suction filters have been studied in order to overcome this problem.

The main feature of these filters is the ability to retain the smallest and most impalpable dust particles, without reducing the vacuum pump suction capacity.

Oil-bath filters are composed of a sheet steel head and container coupled with an interposed seal and clamped by release clamps.

Inside, besides the oil bowl, there are two steel wool filtering cartridges, one of which is detachable and washable, while the other is fixed. The release clamps guarantee easy access for cleaning operations.

They can be used with any kind of oil, even drain oil, as long as it has a minimum viscosity degree. The ideal oil is the same one used for the pump.

Oil-bath suction filters are not recommended for dry vacuum pumps.

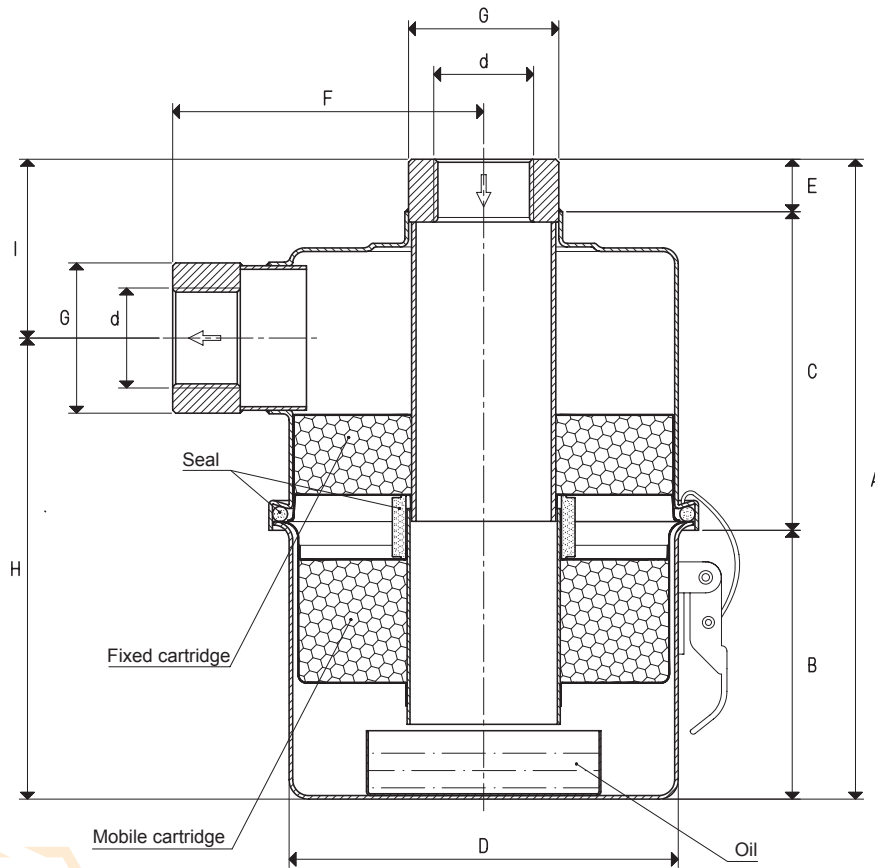
They are currently available for capacities up to 300 cum/h.

### Technical features

Working pressure: from 0.5 to 2000 mbar abs.

Fluid temperature: from -20 to +90 °C

Filtering degree:  $\leq 1 \mu$



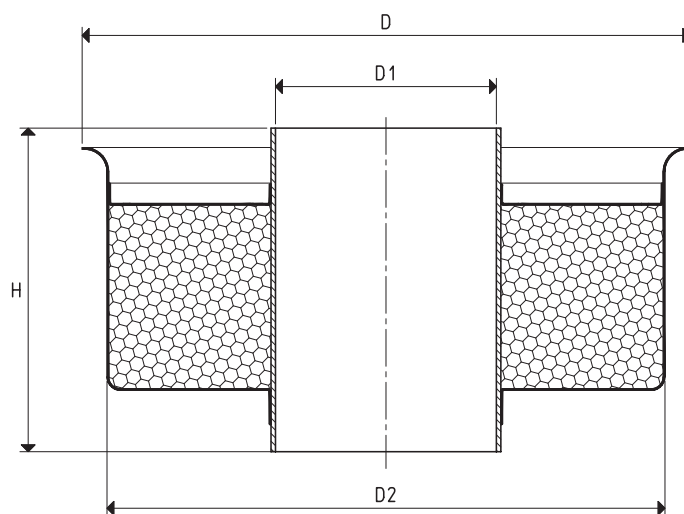
3D drawings available at [www.vuototecnica.net](http://www.vuototecnica.net)

Art.	d	A	B	C	D	E	F	G	H	I	Max capacity	Spare cartridge art.	Spare sealing kit art.	Weight
	Ø				Ø			Ø			cum/h			Kg
<b>FO 20</b>	G1/2"	205	85	112	106	8	100	40	156	49	30	00 FO 04	00 KIT FO 20	1.44
<b>FO 30</b>	G1"	210	88	106	129	16	106	50	151	59	90	00 FO 09	00 KIT FO 30	1.84
<b>FO 50</b>	G1" 1/2	305	110	135	160	60	128	60	199	106	200	00 FO 14	00 KIT FO 50	2.76
<b>FO 60</b>	G2"	340	140	140	185	60	142	67	217	123	300	00 FO 19	00 KIT FO 60	3.70

## STEEL WOOL FILTERING CARTRIDGES FOR FO FILTRES

The cartridges described in this page are suited for FO oil-bath suction  
filtres.

They are made with pressed steel wool contained in a double perforated  
sheet steel enclosure. Their function is to retain fine or impalpable dust  
impregnated with the filtre oil.



Art.	Filtre	D Ø	D1 Ø	D2 Ø	H	Filtering degree
	art.					(installed on the filtre)
						micron
<b>00 FO 04</b>	FO 20	110	40	103	70	≤1
<b>00 FO 09</b>	FO 30	134	49	127	72	≤1
<b>00 FO 14</b>	FO 50	165	58	155	86	≤1
<b>00 FO 19</b>	FO 60	190	66	180	104	≤1

Conversion ratio: inch =  $\frac{\text{mm}}{25.4}$ ; pounds =  $\frac{\text{g}}{453.6} = \frac{\text{Kg}}{0.4536}$

## FO LONG OPERATION AUTONOMY OIL-BATH SUCTION FILTRES

In presence of a considerable amount of fine or impalpable dust, the traditional suction filtre would require a cartridge with a filtering degree so high that, along with reducing its operation autonomy, it would also reduce the vacuum pump suction capacity.

Oil-bath suction filters have been studied in order to overcome this problem.

The main feature of these filters is the ability to retain the smallest and most impalpable dust particles, without reducing the vacuum pump suction capacity.

Oil-bath filters are composed of a sheet steel head and container coupled with an interposed seal and clamped by release clamps.

Inside, besides the oil bowl, there are two steel wool filtering cartridges, one of which is detachable and washable, while the other is fixed. The release clamps guarantee easy access for cleaning operations.

Two indicator lights allow monitoring the oil level and the degree of clogging.

They can be used with any kind of oil, even drain oil, as long as it has a minimum viscosity degree. The ideal oil is the same one used for the pump.

Oil-bath suction filters are not recommended for dry vacuum pumps.

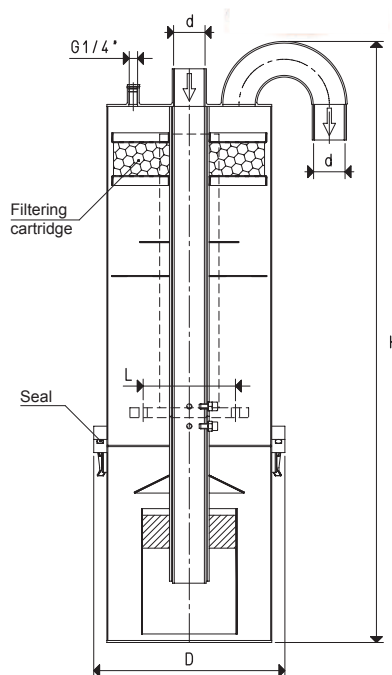
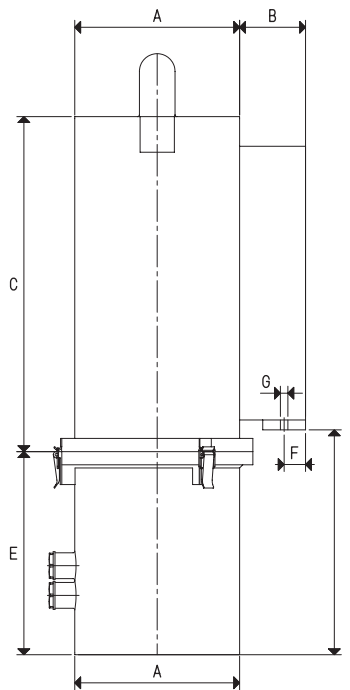
They are currently available for capacities of 200 and 300 cum/h.

### Technical features

Working pressure: from 0.5 to 2000 mbar abs.

Fluid temperature: from -20 to +90 °C

Filtering degree:  $\leq 1 \mu$



3D drawings available at [www.vuototecnica.net](http://www.vuototecnica.net)

Art.	d	A	B	C	D	E	F	G	H	I	L	Max capacity	Spare seal	Weight
	Ø	Ø			Ø			Ø				cum/h	art.	Kg
<b>FO 160</b>	G1" 1/2	250	100	508	290	308	32.5	12	910	356	140	200	00 FO 30	27
<b>FO 300</b>	G2"	350	80	508	390	308	32.5	12	920	356	200	300	00 FO 29	40

**Note:** The filtering cartridges are washable and, therefore, are not to be replaced.