

SMALL PNEUMATIC BLOWING PUMPS PS

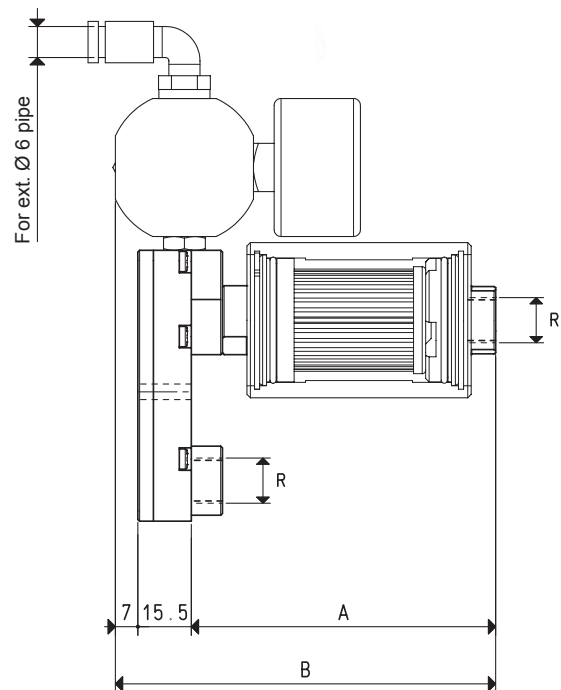
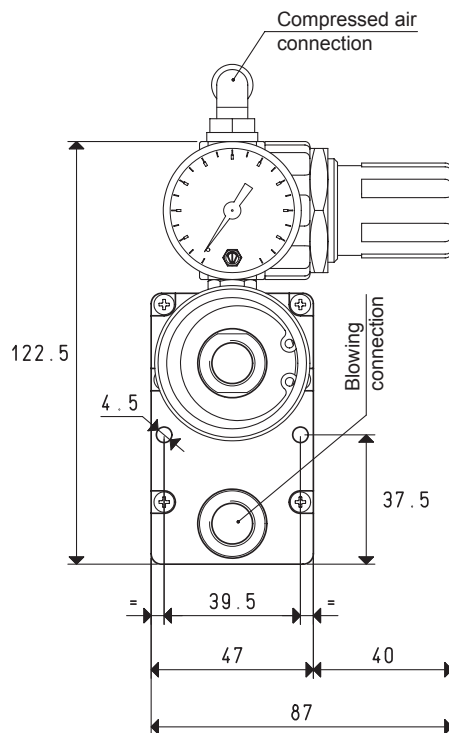
The assembly of a pressure adjuster equipped with pressure gauge and of an FCL filtre on the suction inlet connection of a vacuum generator of the M .. SSX range has allowed creating these small pneumatic suction pumps. Their main features include reduced overall dimensions compared to their technical performance.

The vacuum level and capacity can be adjusted according to the supply air pressure. These pumps are supplied by compressed air with a pressure ranging from 1 to 5 bar (g) and they can produce a maximum pressure of 0.7 bar (g) and a blowing capacity between 2.7 and 31 cum/h, measured at a normal atmospheric pressure of 1013 mbar.

Being based on the Venturi principle, they do not develop heat.

The filtre equipped with microporous cartridge located on the air inlet connection can keep the finest dust and impurities.

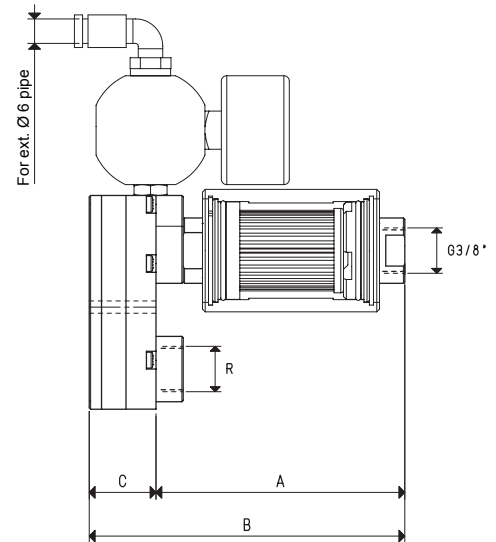
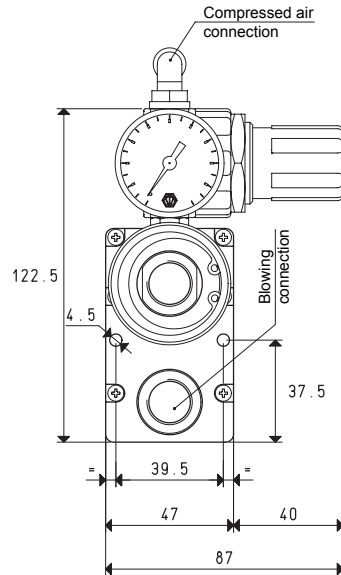
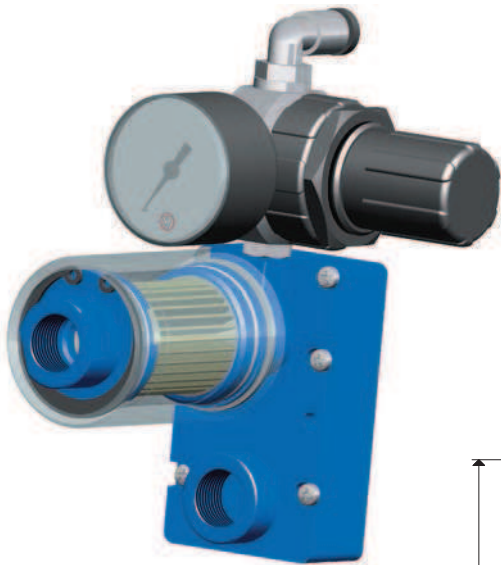
Thanks to their static operating principle, maintenance is reduced to a simple regular cleaning of the filtre.



Art.		PS 3				
Supply pressure	bar (g)	1	2	3	4	5
Max. blowing pressure	bar (g)	0.1	0.2	0.3	0.5	0.7
Air consumption	NI/s	0.2	0.4	0.5	0.7	0.8
Quantity of blown air	cum/h	2.7	3.9	4.8	5.9	6.5
A		88				
B		110.5				
R	Ø	G1/4"				
Weight	Kg	0.44				
Art.		PS 7				
Supply pressure	bar (g)	1	2	3	4	5
Max. blowing pressure	bar (g)	0.1	0.2	0.3	0.5	0.7
Air consumption	NI/s	0.4	0.6	0.8	1.2	1.4
Quantity of blown air	cum/h	4.4	6.1	8.2	10.1	11.2
A		89				
B		111.5				
R		G3/8"				
Weight	Kg	0.45				
Working temperature	°C	-20 / +80				

Note: All the values in the table are valid at a normal atmospheric pressure of 1013 mbar and obtained with a constant supply pressure.

SMALL PNEUMATIC BLOWING PUMPS PS 10, PS 14 and PS 18



Art.		PS 10				
Supply pressure	bar (g)	1	2	3	4	5
Max. blowing pressure	-KPa	0.1	0.2	0.3	0.5	0.7
Air consumption	NI/s	0.5	0.9	1.2	1.6	1.9
Quantity of blown air	cum/h	5.8	9.2	12.0	14.2	16.2
A				94		
B				118.5		
C				24.5		
R				G3/8"		
Weight	Kg			0.49		
Art.		PS 14				
Supply pressure	bar (g)	1	2	3	4	5
Max. blowing pressure	-KPa	0.1	0.2	0.3	0.5	0.7
Air consumption	NI/s	0.9	1.3	1.7	2.1	2.5
Quantity of blown air	cum/h	9.2	12.6	16.3	19.0	21.6
A				94		
B				118.5		
C				24.5		
R				G3/8"		
Weight	Kg			0.50		
Working temperature						
Art.		PS 18				
Supply pressure	bar (g)	1	2	3	4	5
Max. blowing pressure	-KPa	0.1	0.2	0.3	0.5	0.7
Air consumption	NI/s	1.2	1.7	2.3	2.9	3.6
Quantity of blown air	cum/h	12.3	17.6	23.0	26.9	31.0
A				94		
B				128.5		
C				34.5		
R				G1/2"		
Weight	Kg			0.52		
Working temperature	°C			-20 / +80		

Note: All the values in the table are valid at a normal atmospheric pressure of 1013 mbar and obtained with a constant supply pressure.

Conversion ratio: inch = $\frac{\text{mm}}{25.4}$; pounds = $\frac{\text{g}}{453.6}$ = $\frac{\text{Kg}}{0.4536}$

GAS-NPT thread adapters available at page 1.117

PNEUMATIC BLOWING PUMPS PS

A state of the art range of ejectors has allowed creating this range of pneumatic blowing pumps featuring an excellent ratio between the amount of consumed air and sucked air, as well as the ability to adjust the vacuum level and capacity according to the supply air pressure.

These pumps are supplied by compressed air with a pressure ranging from 1 to 6 bar (g) and can produce a maximum pressure of 0.8 bar (g) and a blowing capacity between 18 and 425 cum/h, measured at a normal atmospheric pressure of 1013 mbar.

When designing these pumps our attention was focused on noise. In fact, they are perfectly soundproofed and there are no moving parts subject to wear and vibrations. All this results in an extremely silent operation.

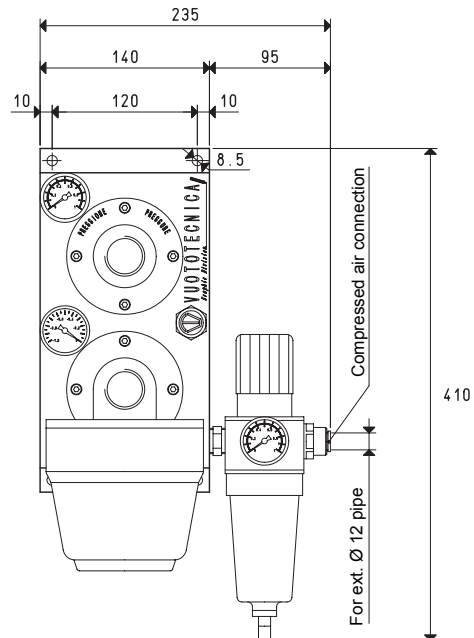
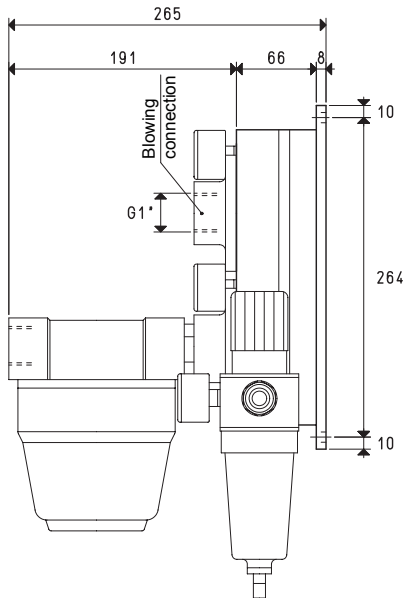
Moreover, being based on the Venturi principle, they do not develop heat.

As a standard, they are equipped with a filtre-pressure reducer unit for the supply air and a filtre with microporous cartridge located on the air inlet connection, which can keep the finest dust and impurities.

The excellent compressed air and sucked filtration allows blowing air free from oil vapours, water condensation and impurities in the work environment, causing no pollution.

The use of light alloys for making these pumps has allowed a considerable reduction of their weight thus allowing them to be directly installed onto the machine.

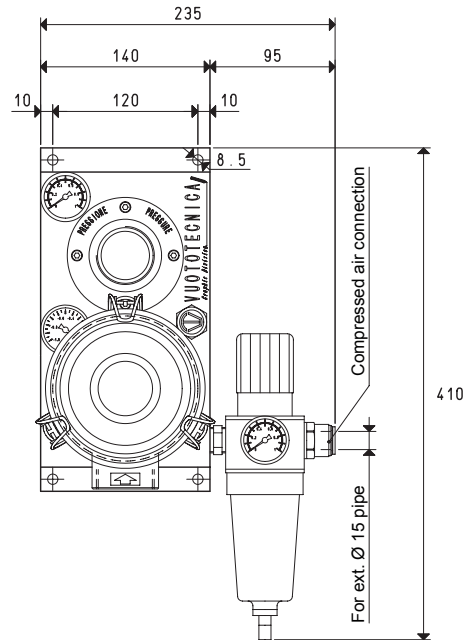
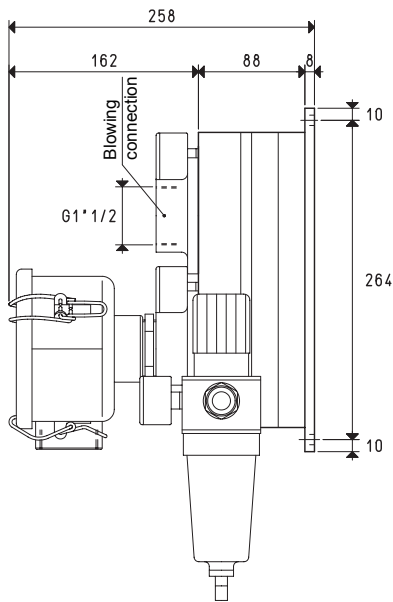
Thanks to their static operating principle, maintenance is reduced to a simple regular cleaning of the filtres.



Art.		PS 40					
Supply pressure	bar (g)	1	2	3	4	5	6
Max. blowing pressure	bar (g)	0.1	0.2	0.3	0.5	0.7	0.8
Air consumption	NI/s	1.0	1.5	2.0	2.3	2.7	3.2
Quantity of blown air	cum/h	18	28	37	44	48	53
Weight	Kg	6.3					
Art.		PS 70					
Supply pressure	bar (g)	1	2	3	4	5	6
Max. blowing pressure	bar (g)	0.1	0.2	0.3	0.5	0.7	0.8
Air consumption	NI/s	2.0	3.0	4.1	4.9	5.7	6.6
Quantity of blown air	cum/h	36	57	72	83	93	104
Weight	Kg	6.3					
Art.		PS 100					
Supply pressure	bar (g)	1	2	3	4	5	6
Max. blowing pressure	bar (g)	0.1	0.2	0.3	0.5	0.7	0.8
Air consumption	NI/s	3.0	4.6	6.2	7.2	8.5	9.8
Quantity of blown air	cum/h	38	73	97	114	129	144
Weight	Kg	6.3					
Working temperature	°C	-20 / +80					

Note: All the values in the table are valid at a normal atmospheric pressure of 1013 mbar and obtained with a constant supply pressure.

PNEUMATIC BLOWING PUMPS PS 140, PS 170 and PS 200



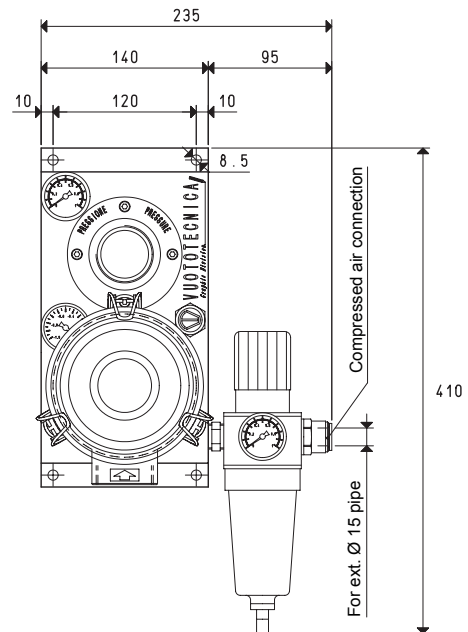
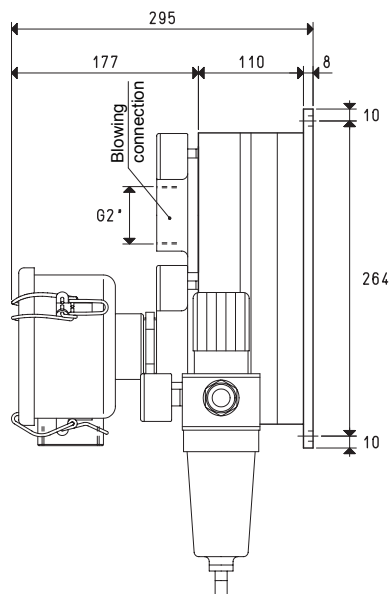
Art.		PS 140					
Supply pressure	bar (g)	1	2	3	4	5	6
Max. blowing pressure	bar (g)	0.1	0.2	0.3	0.5	0.7	0.8
Air consumption	NI/s	4.1	6.2	8.3	9.6	11.4	13.0
Quantity of blown air	cum/h	59	102	135	160	181	199
Weight	Kg	7.3					
Art.		PS 170					
Supply pressure	bar (g)	1	2	3	4	5	6
Max. blowing pressure	bar (g)	0.1	0.2	0.3	0.5	0.7	0.8
Air consumption	NI/s	5.1	7.7	10.3	12.1	14.2	16.3
Quantity of blown air	cum/h	71	125	165	194	219	240
Weight	Kg	7.3					
Art.		PS 200					
Supply pressure	bar (g)	1	2	3	4	5	6
Max. blowing pressure	bar (g)	0.1	0.2	0.3	0.5	0.7	0.8
Air consumption	NI/s	6.0	9.1	12.2	14.2	16.9	19.4
Quantity of blown air	cum/h	81	142	185	221	249	270
Weight	Kg	7.3					
Working temperature	°C	-20 / +80					

Note: All the values in the table are valid at a normal atmospheric pressure of 1013 mbar and obtained with a constant supply pressure.

Conversion ratio: inch = $\frac{\text{mm}}{25.4}$; pounds = $\frac{\text{g}}{453.6} = \frac{\text{Kg}}{0.4536}$

GAS-NPT thread adapters available at page 1.117

PNEUMATIC BLOWING PUMPS PS 250 and PS 300



3D drawings available at www.vuototecnica.net

Art.		PS 250					
Supply pressure	bar (g)	1	2	3	4	5	6
Max. blowing pressure	bar (g)	0.1	0.2	0.3	0.5	0.7	0.8
Air consumption	NI/s	7.5	11.2	15.0	17.3	20.7	24.0
Quantity of blown air	cum/h	127	185	244	286	327	366
Weight	Kg	8.2					
Art.		PS 300					
Supply pressure	bar (g)	1	2	3	4	5	6
Max. blowing pressure	bar (g)	0.1	0.2	0.3	0.5	0.7	0.8
Air consumption	NI/s	9.0	13.5	18.1	20.4	24.8	29.0
Quantity of blown air	cum/h	138	208	278	313	379	424
Weight	Kg	8.2					
Working temperature	°C	-20 / +80					

Note: All the values in the table are valid at a normal atmospheric pressure of 1013 mbar and obtained with a constant supply pressure.