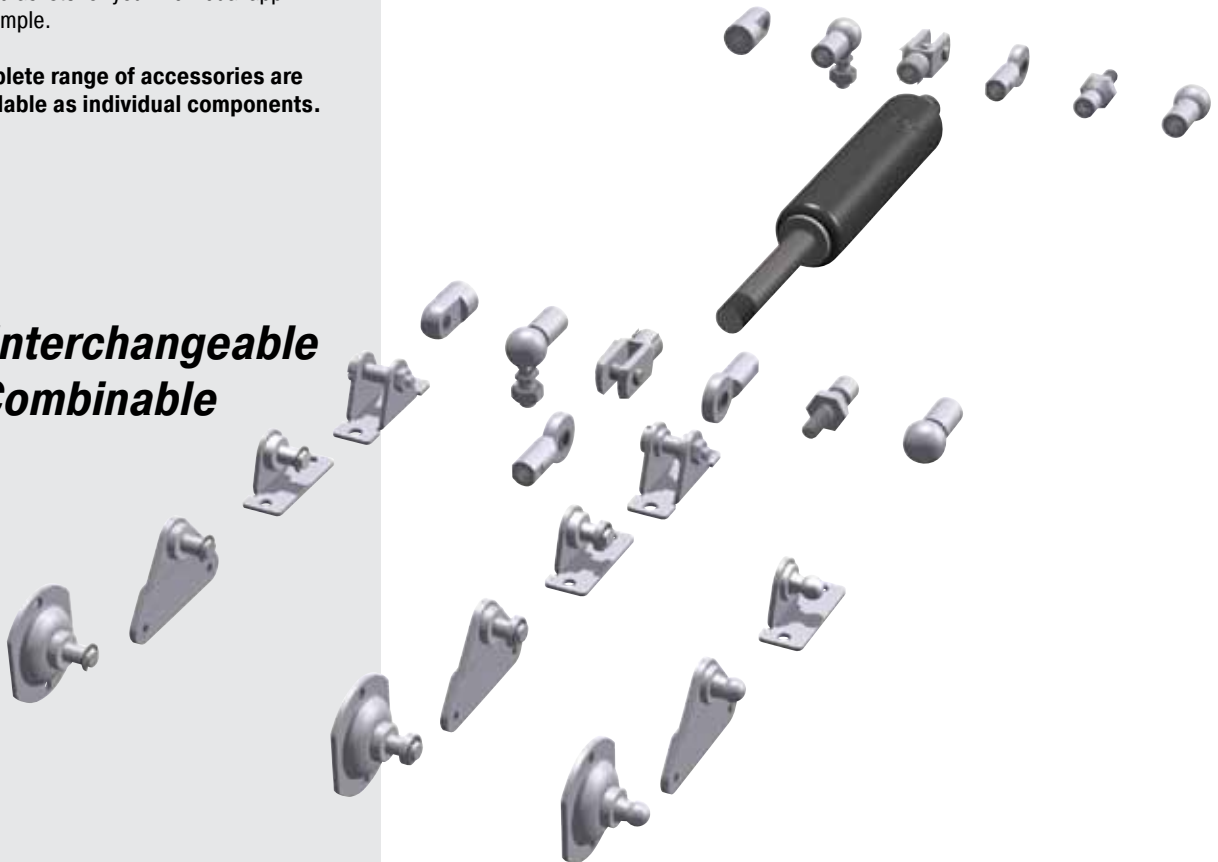


By taking advantage of the very extensive range of **ACE end fittings and mounting brackets** you can easily and simply install our gas springs and hydraulic dampers. You profit from the variety of **DIN Standard** end fittings such as swivel eyes, clevis forks, angle ball joints, inline ball joints, and complementary ball sockets. ACE also offers eye fittings made of wear-resistant steel to meet the higher specification requirements found in industrial applications. With over 30 different types available these mounting accessories provide an extensive range of combinations for optimum installations. With the ACE selection programme you can choose not only your ACE gas springs but also the ideal end fittings and mounting brackets for your individual application example.

The complete range of accessories are also available as individual components.

Interchangeable Combinable

"Just drill 4 holes – ACE does all the rest!"



The wide range of mounting brackets available

Accessories M3.5x0.6

GS-8, GS-10, GS-12, GZ-15, HB-12

<p>A3,5 Eye</p> <p>1 max. force 370 N</p>	<p>C3,5 Angle Ball Joint DIN 71802</p> <p>1 max. force 370 N</p>	<p>D3,5 Clevis Fork DIN 71752</p> <p>1 max. force 370 N</p>	<p>E3,5 Swivel Eye DIN 648</p> <p>1 max. force 370 N</p>	<p>G3,5 Ball Socket DIN 71805</p> <p>1 max. force 370 N</p>	
<p>1 max. force 180 N</p>	<p>NA3,5</p>	<p>NG3,5</p>	<p>1 max. force 180 N</p>	<p>OA3,5</p>	<p>OG3,5</p>

Accessories M5x0.8

GS-15, HB-15

<p>A5 Eye</p> <p>1 max. force 800 N</p>	<p>C5 Angle Ball Joint DIN 71802</p> <p>1 max. force 500 N</p>	<p>D5 Clevis Fork DIN 71752</p> <p>1 max. force 800 N</p>	<p>E5 Swivel Eye DIN 648</p> <p>1 max. force 800 N</p>	<p>F5 Inline Ball Joint</p> <p>Attention! Must only be used with compression loads.</p> <p>1 max. force 500 N</p>	
<p>G5 Ball Socket DIN 71805</p> <p>1 max. force 500 N</p>	<p>1 max. force 500 N</p>	<p>MA5</p>	<p>1 max. force 400 N</p>	<p>NA5</p>	<p>NG5</p>
<p>1 max. force 180 N</p>	<p>OA5</p>	<p>OG5</p>	<p>1 max. force 500 N</p>	<p>PA5</p>	<p>PG5</p>

1 Attention! Max. static load in Newtons. Beware force increase during compression (progression) and observe max. force limit.

Accessories M8x1.25

GS-19, GS-22, GZ-19, HB-22, HB-28, HBS-28, DVC-32

<p>A8 Eye</p> <p>1 max. force 3000 N</p>	<p>C8 Angle Ball Joint DIN 71802</p> <p>1 max. force 1200 N</p>	<p>D8 Clevis Fork DIN 71752</p> <p>1 max. force 3000 N</p>	<p>E8 Swivel Eye DIN 648</p> <p>1 max. force 3000 N</p>	<p>F8 Inline Ball Joint</p> <p>Attention! Must only be used with compression loads.</p> <p>1 max. force 1200 N</p>	
<p>G8 Ball Socket DIN 71805</p> <p>1 max. force 1200 N</p>	<p>1 max. force 1800 N</p> <p>MA8 ME8</p>		<p>1 max. force 1000 N</p> <p>NA8 NE8 NG8</p>		
<p>1 max. force 1200 N</p>	<p>OA8</p>	<p>OE8</p>	<p>1 max. force 1200 N</p>	<p>PA8 PE8 PG8</p>	

Accessories M10x1.5

GS-28, GZ-28, HBS-35

<p>A10 Eye</p> <p>1 max. force 10 000 N</p>	<p>C10 Angle Ball Joint DIN 71802</p> <p>1 max. force 1800 N</p>	<p>D10 Clevis Fork DIN 71752</p> <p>1 max. force 10 000 N</p>	<p>E10 Swivel Eye DIN 648</p> <p>1 max. force 10 000 N</p>	<p>F10 Inline Ball Joint</p> <p>Attention! Must only be used with compression loads.</p> <p>1 max. force 1800 N</p>	
<p>1 max. force 1800 N</p>	<p>MA10 ME10</p>				
<p>1 max. force 1200 N</p>	<p>OE10</p>		<p>1 max. force 1200 N</p>	<p>PE10</p>	

1 Attention! Max. static load in Newtons. Beware force increase during compression (progression) and observe max. force limit.

Accessories M14x1.5

GS-40, GST-40, GZ-40, HB-40, HBD-70

<p>A14 Eye</p> <p>1 max. force 10 000 N</p>	<p>C14 Angle Ball Joint DIN 71802</p> <p>1 max. force 3200 N</p>	<p>D14 Clevis Fork DIN 71752</p> <p>1 max. force 10 000 N</p>	<p>E14 Swivel Eye DIN 648</p> <p>1 max. force 10 000 N</p>	<p>F14 Inline Ball Joint Attention! Must only be used with compression loads.</p> <p>1 max. force 3200 N</p>
<p>1 max. force 10 000 N</p> <p>ME14</p>	<p>1 max. force 10 000 N</p> <p>ND14</p>			

¹ Attention! Max. static load in Newtons. Beware force increase during compression (progression) and observe max. force limit.

Accessories M24x2

GS-70, HB-70, HBS-70

<p>D24 Clevis Fork DIN 71752</p> <p>1 max. force 50 000 N</p>	<p>E24 Swivel Eye DIN 648</p> <p>1 max. force 50 000 N</p>
<p>1 max. force 50 000 N</p> <p>ME24</p>	<p>1 max. force 50 000 N</p> <p>ND24</p>

¹ Attention! Max. static load in Newtons. Beware force increase during compression (progression) and observe max. force limit.

Accessories M3.5x0.6

GS-8-V4A, GS-10-V4A, GS-12-V4A, GZ-15-V4A

<p>A3,5-V4A Eye</p> <p>1 max. force 370 N</p>	<p>C3,5-V4A Angle Ball Joint</p> <p>1 max. force 370 N</p>	<p>D3,5-V4A Clevis Fork</p> <p>1 max. force 370 N</p>	<p>G3,5-V4A Ball Socket</p> <p>1 max. force 370 N</p>
<p>1 max. force 180 N</p>	<p>NA3,5-V4A NG3,5-V4A</p>	<p>1 max. force 180 N</p>	<p>OA3,5-V4A OG3,5-V4A</p>

Accessories M5x0.8

GS-15-VA

<p>A5-VA Eye</p> <p>1 max. force 490 N</p>	<p>C5-VA Angle Ball Joint</p> <p>1 max. force 430 N</p>	<p>D5-VA Clevis Fork</p> <p>1 max. force 490 N</p>	<p>E5-VA Swivel Eye</p> <p>1 max. force 490 N</p>	<p>G5-VA Ball Socket</p> <p>1 max. force 430 N</p>
<p>1 max. force 500 N</p>	<p>MA5-V4A</p>	<p>1 max. force 400 N</p>	<p>NA5-V4A NG5-V4A</p>	
<p>1 max. force 180 N</p>	<p>OA5-V4A OG5-V4A</p>	<p>1 max. force 500 N</p>	<p>PA5-V4A PG5-V4A</p>	

1 Attention! Max. static load in Newtons. Beware force increase during compression (progression) and observe max. force limit.

Accessories M8x1.25 GS-19-VA, GS-22-VA, GZ-19-VA

<p>A8-VA Eye</p> <p>1 max. force 1560 N</p>	<p>C8-VA Angle Ball Joint</p> <p>1 max. force 1140 N</p>	<p>D8-VA Clevis Fork</p> <p>1 max. force 1560 N</p>	<p>E8-VA Swivel Eye</p> <p>1 max. force 1560 N</p>	<p>G8-VA Ball Socket</p> <p>1 max. force 1140 N</p>	
<p>1 max. force 1800 N</p>	<p>MA8-V4A</p>		<p>1 max. force 1000 N</p>	<p>NA8-V4A</p>	<p>NG8-V4A</p>
<p>1 max. force 1200 N</p>	<p>OA8-V4A</p>	<p>OG8-V4A</p>	<p>1 max. force 1200 N</p>	<p>PA8-V4A</p>	<p>PG8-V4A</p>

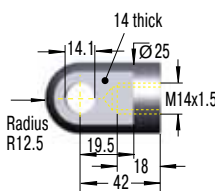
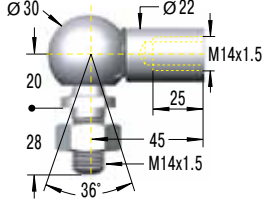
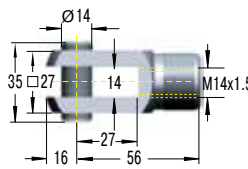
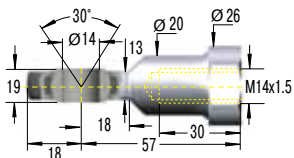
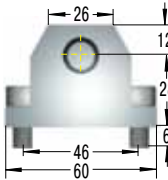
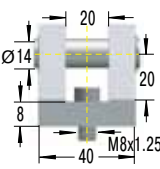
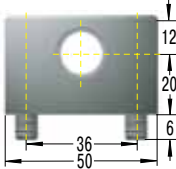
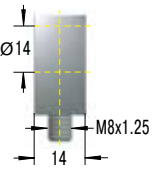
Accessories M10x1.5 GS-28-VA, GZ-28-VA

<p>A10-VA Eye</p> <p>1 max. force 3800 N</p>	<p>C10-VA Angle Ball Joint</p> <p>1 max. force 1750 N</p>	<p>D10-VA Clevis Fork</p> <p>1 max. force 3800 N</p>	<p>E10-VA Swivel Eye</p> <p>1 max. force 3800 N</p>	
<p>1 max. force 1800 N</p>	<p>MA10-V4A</p>			

1 Attention! Max. static load in Newtons. Beware force increase during compression (progression) and observe max. force limit.

Accessories M14x1.5

GS-40-VA, GZ-40-VA

<p>A14-VA Eye</p>  <p>1 max. force 7000 N</p>	<p>C14-VA Angle Ball Joint</p>  <p>1 max. force 3200 N</p>	<p>D14-VA Clevis Fork</p>  <p>1 max. force 7000 N</p>	<p>E14-VA Swivel Eye</p>  <p>1 max. force 7000 N</p>
<p>1 max. force 10000 N</p> 	<p>ME14-VA</p> 	<p>1 max. force 10000 N</p> 	<p>ND14-VA</p> 

¹ Attention! Max. static load in Newtons. Beware force increase during compression (progression) and observe max. force limit.