

FC SUCTION FILTRES WITH PAPER CARTRIDGE

These filtres have been designed to allow vacuum pumps to operate even in very dusty environments. Installed onto the pump suction inlet, they are able to retain fine and impalpable dust interfering with the capacity in a negligible manner.

The filtering cartridge is made with a special treated paper with a filtering degree equal to $5 \div 7 \mu$, which is pleated to increase its surface and is contained in a double perforated sheet steel enclosure. The filtering cartridge container, as well as the lid, is made with sheet steel and varnished with a special anti-oxidation paint.

A seal located between the lid and the container guarantees a perfect vacuum seal between the two elements. The release clamps applied onto the container allow a quick opening of the lid for the filtering cartridge inspection or replacement.

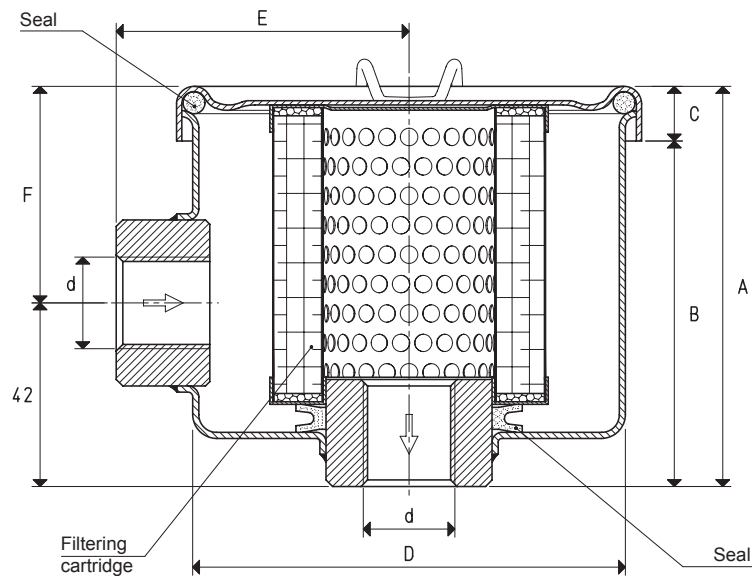
Due to their paper filtering element, these filtres are not recommended in case of water or oil vapours and condensation.

Technical features

Working pressure: from 0.5 to 2000 mbar abs.

Fluid temperature: from -20 to +60 °C

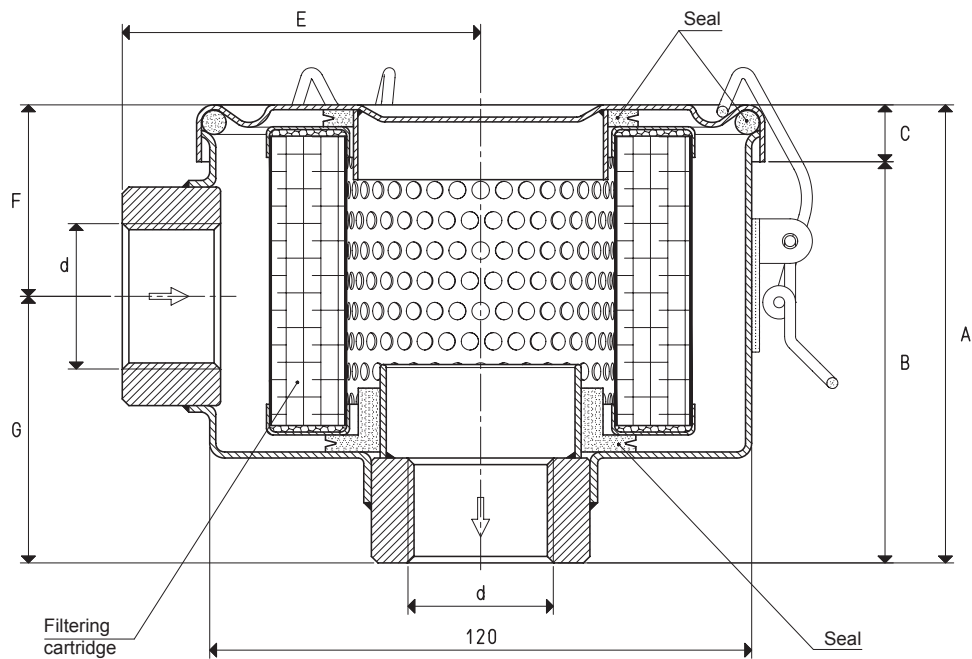
Filtering degree: $5 \div 7 \mu$



3D drawings available at www.vuototecnica.net

Art.	d	A	B	C	D	E	F	Max capacity	Spare cartridge art.	Spare sealing kit art.	Weight
	Ø				Ø			cum/h			g
FC 10	G3/8"	79	70	9	72	49	37	15	00 FC 04	00 KIT FC 10	352
FC 20	G1/2"	93	80	13	96	67	51	30	00 FC 08	00 KIT FC 20	774
FC 25	G3/4"	93	80	13	96	67	51	50	00 FC 08	00 KIT FC 25	734

FC SUCTION FILTRES WITH PAPER CARTRIDGE

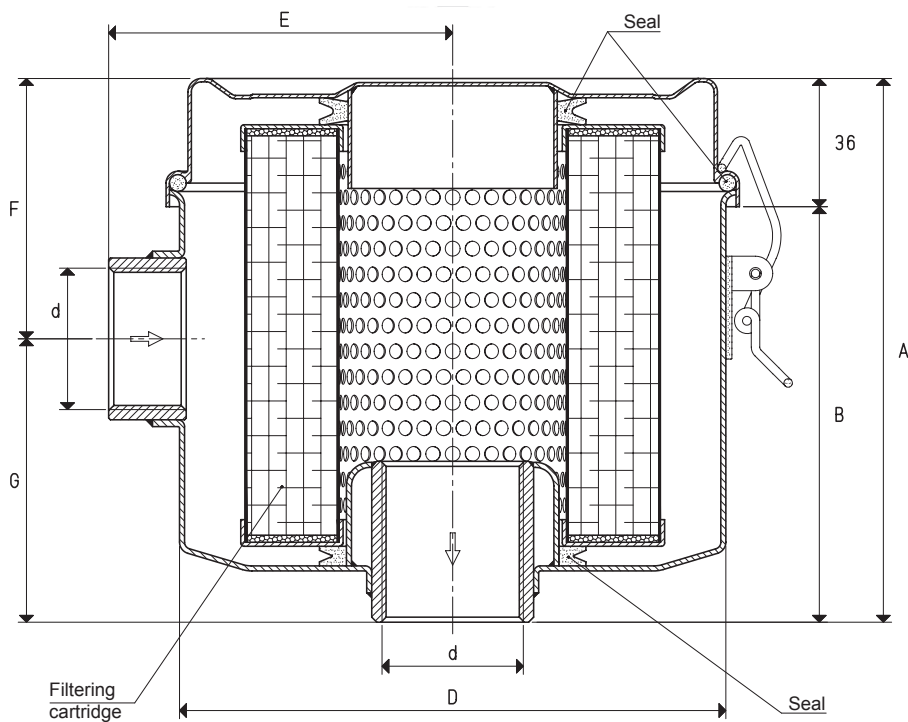


Art.	d	A	B	C	E	F	G	Max capacity	Spare cartridge art.	Spare sealing kit art.	Weight
	∅							cum/h			Kg
FC 30	G1"	105	92	13	84	41	64	90	00 FC 15	00 KIT FC 30	1.17
FC 35	G1" 1/4	97	84	13	78	46	51	100	00 FC 15	00 KIT FC 35	1.02
FC 38	G1" 1/2	101	88	13	80	45	56	200	00 FC 15	00 KIT FC 38	0.95
FC 55	G2"	170	157	13	81	79	91	300	00 FC 33	00 KIT FC 55	1.29

Conversion ratio: inch = $\frac{\text{mm}}{25.4}$; pounds = $\frac{\text{g}}{453.6} = \frac{\text{Kg}}{0.4536}$

GAS-NPT thread adapters available at page 1.117

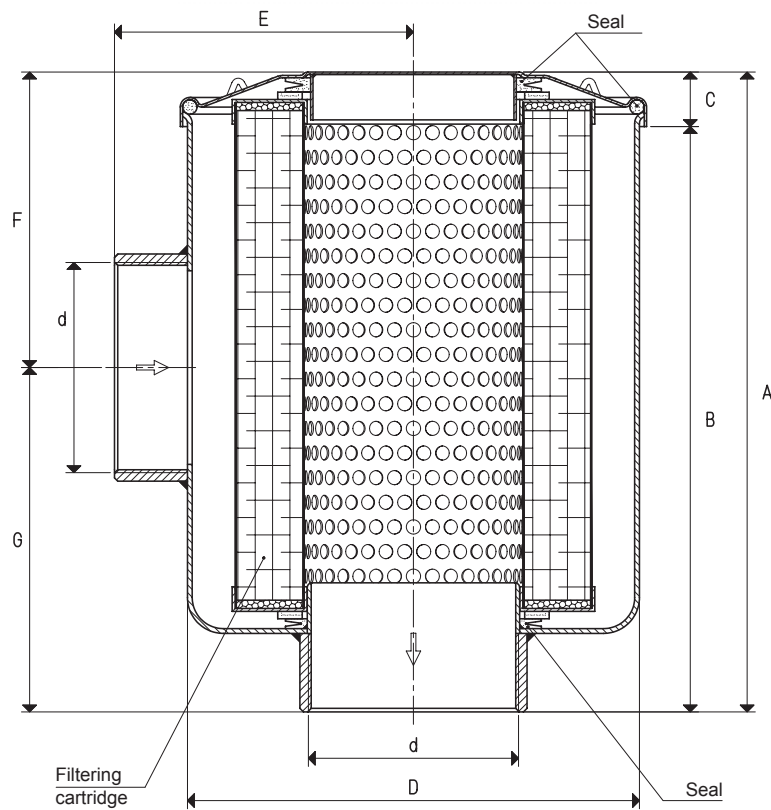
FC SUCTION FILTRES WITH PAPER CARTRIDGE



3D drawings available at www.vuototecnica.net

Art.	d	A	B	D	E	F	G	Max capacity	Spare cartridge art.	Spare sealing kit art.	Weight
	∅			∅				cum/h			Kg
FC 40	G1" 1/4	161	125	162	102	77	84	150	00 FC 22	00 KIT FC 40	1.83
FC 50	G1" 1/2	197	161	160	100	85	112	200	00 FC 24	00 KIT FC 50	2.11

FC SUCTION FILTRES WITH PAPER CARTRIDGE



5

Art.	d	A	B	C	D	E	F	G	Max capacity	Spare cartridge art.	Spare sealing kit art.	Weight
	∅				∅				cum/h			Kg
FC 60	G2"	258	235	23	185	115	126	132	300	00 FC 29	00 KIT FC 60	4.62
FC 80	G3"	270	246	24	185	125	126	144	360	00 FC 29	00 KIT FC 80	3.45
FC 100	G4"	336	311	25	295	166	134	202	540	00 FC 34	00 KIT FC 100	5.56

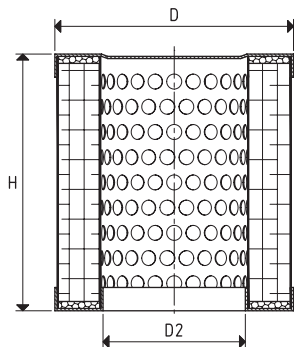
Conversion ratio: inch = $\frac{\text{mm}}{25.4}$; pounds = $\frac{\text{g}}{453.6} = \frac{\text{Kg}}{0.4536}$

GAS-NPT thread adapters available at page 1.117

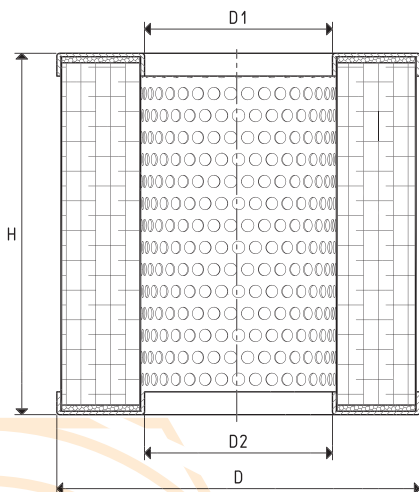
3D drawings available at www.vuototecnica.net

PAPER FILTERING CARTRIDGES FOR FC FILTERS

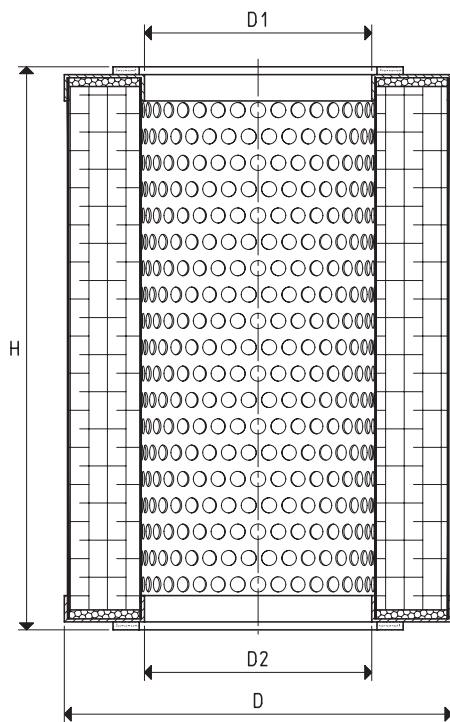
The cartridges described in this page are suited for FC suction filters.
 They are made with a special treated paper, with a filtering degree equal to $5 \div 7 \mu$, which is pleated to increase its surface and contained into a double perforated sheet steel enclosure.
 They are recommended for retaining fine and impalpable dust, but not in presence of water and oil vapours and condensation.



Art.	Filtre art.	D Ø	D2 Ø	H	Filtering degree micron
00 FC 04	FC 10	50	23	59	5 ÷ 7
00 FC 08	FC 20 - FC 25	64	38	69	5 ÷ 7



Art.	Filtre art.	D Ø	D1 Ø	D2 Ø	H	Filtering degree micron
00 FC 15	FC 30 - FC 35 - FC 38	98	60	60	70	5 ÷ 7
00 FC 22	FC 40	126	64	64	125	5 ÷ 7
00 FC 24	FC 50	126	64	64	156	5 ÷ 7
00 FC 33	FC 55	98	60	60	140	5 ÷ 7



Art.	Filtre art.	D Ø	D1 Ø	D2 Ø	H	Filtering degree micron
00 FC 29	FC 60 - FC 80	152	89	89	215	5 ÷ 7
00 FC 34	FC 100	227	178	178	278	5 ÷ 7

Conversion ratio: inch = $\frac{\text{mm}}{25.4}$; pounds = $\frac{\text{g}}{453.6} = \frac{\text{Kg}}{0.4536}$