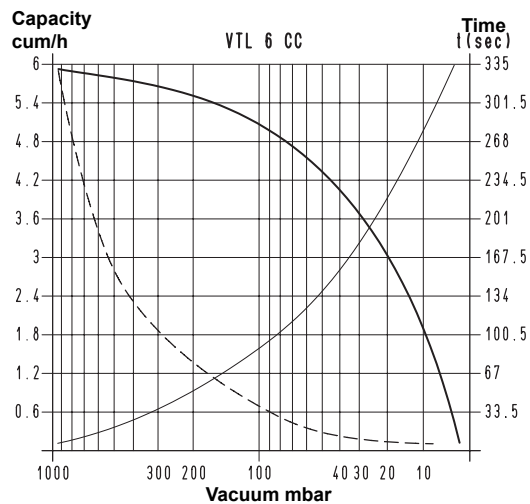
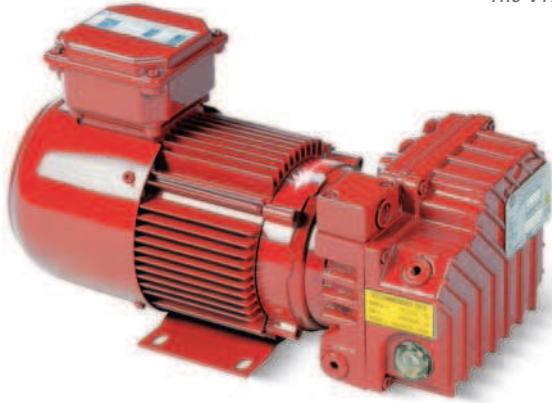


VACUUM PUMP VTL 6 DC WITH DC MOTOR

The extremely reduced size, the excellent final vacuum level that can be reached and the DC electric motor are the main features of this rotating vane vacuum pump. The internal vacuum lubrication is with oil recirculation.

Both the motor and the pump are cooled by the motor pump (surface cooling). The pump is equipped with a small tank in line with its axis, which contains the lubrication oil and a condensation separator that prevents exhaust oil mists and reduces noise. A check valve on the suction inlet is integral part of the pump. Upon request, it can be supplied with a special filter.

The VTL 6 DC pump can only be supplied with a DC motor (service S1) conform with the EMC (89/336/CEE) Directive.

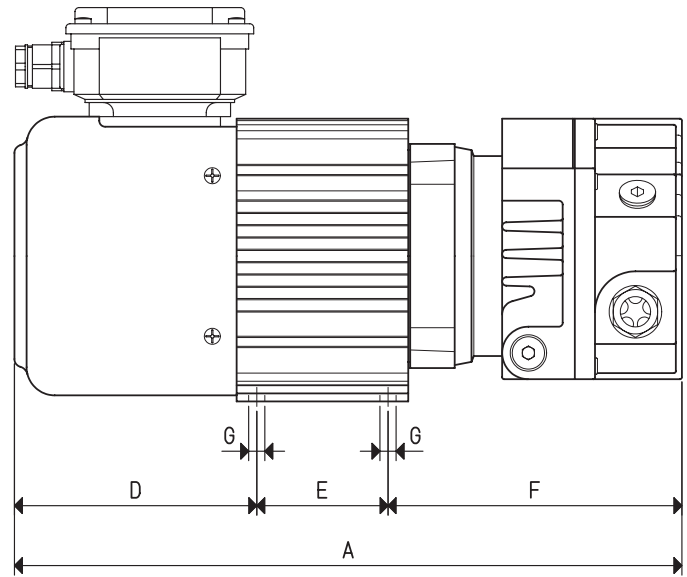
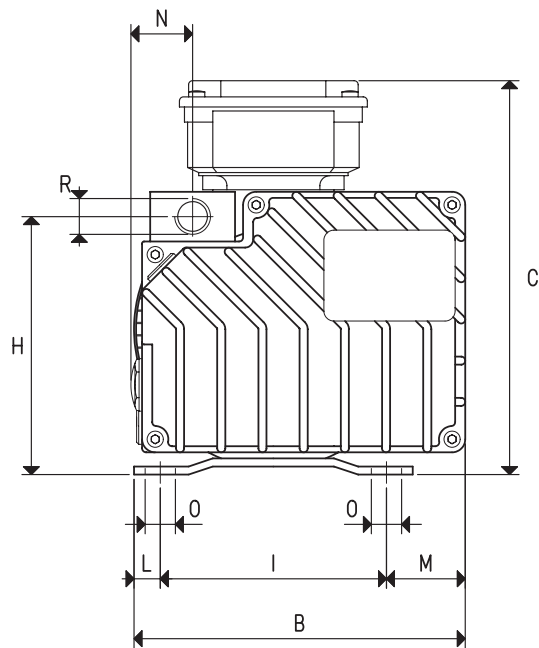


To calculate the emptying time of a volume V_1 , apply the formula $t_1 = \frac{t \times V_1}{100}$

- Curve regarding capacity (referring to the suction pressure)
- - - Curve regarding capacity (referring to a 1013 bar pressure)
- Curve regarding the emptying of a 100-litre volume

- V_1 : Volume to be emptied
- t_1 : Time to be calculated (sec)
- t : Time obtained in the table (sec)

VACUUM PUMP VTL 6 DC WITH DC MOTOR



Art.		VTL 6 CC
Capacity	m ³ /h	6
Final pressure	mbar abs.	2
Motor execution	Volt	24 CC
Motor power	Kw	0.28
Max. absorption at 24 V CC	A	15
Motor protection	IP	54
Rotation speed	rev/min ⁻¹	3000
Motor shape		Special
Motor size		71
Noise level	dB(A)	68
Max. weight	Kg	10.5
A		335
B		168
C		195
D		124
E		65
F		146
G		8
H		128
I		112
L		12
M		44
N		32
O		14.5
R	∅ gas	G3/8"
Accessories and spare parts		
Oil load	l	0.20
Synthetic oil	VT OIL	ISO 32
3 vanes	art.	00 VTL 06 10
Sealing kit	art.	00 KIT VTL 06
Check valve	art.	Built-in
Suction filtre	art.	FB 10/FC 10

3D drawings available at www.vuototecnica.net