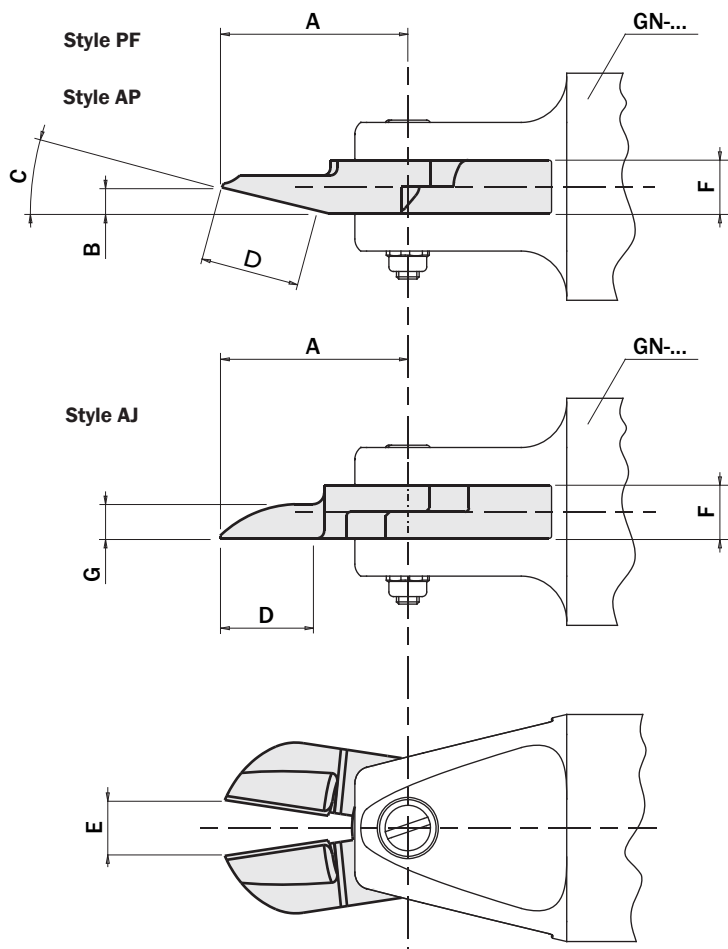


Lame standard

Standard blades

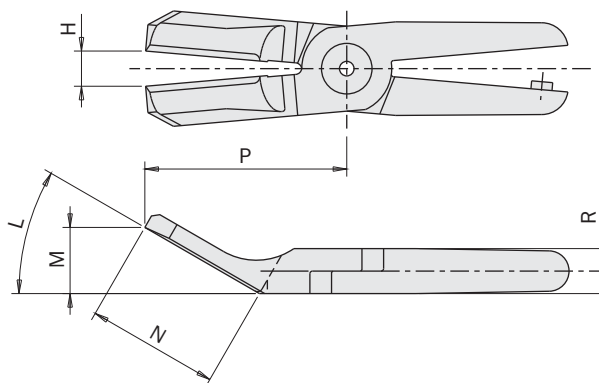


Lame Blades	Taglierino Nipper	Tipo di lama Blade style	A	B	C	D	E	F	G	Peso Weight
G.N5AJ	GN-05...	dritta inline	24	-	-	13	4	7	4.5	33 g
G.N5AP	GN-05...	standard	24	3.6	15°	11.5	4	7	-	34 g
G.N5PF	GN-05...	profonda deep angle	24	7	40°	9.7	4	7	-	35 g
G.N10LAJ	GN-10...	dritta lunga long inline	35	-	-	18	5.5	12	8	117 g
G.N10LAP	GN-10...	standard lunga long, standard	36	5.3	15°	16	6.5	12	-	115 g
G.N10LPF	GN-10...	profonda lunga long, deep angle	35	12	40°	13.5	6.5	12	-	112 g
G.N20AJ	GN-20...	dritta inline	34.5	-	-	18	12	12	8	121 g
G.N20AP	GN-20...	standard	35	3.5	15°	16	11.5	12	-	120 g
G.N20PF	GN-20...	profonda deep angle	35	12	40°	13.5	11.5	12	-	124 g
G.N20AJL	GN-20...	dritta lunga long inline	65	-	-	20	15.4	12	7.2	220 g
G.N30AJ	GN-30... GN-50...	dritta inline	52	-	-	30	10.5 22	17	8	365 g
G.N30AP	GN-30... GN-50...	standard	67	11	15°	38	17.5 29.5	17	-	380 g
G.N30PF	GN-30... GN-50...	profonda deep angle	58	17	30°	27	16 26.5	17	-	388 g

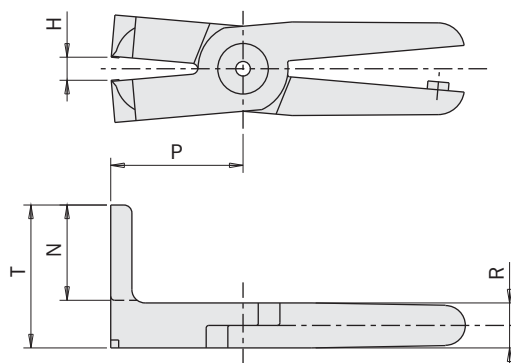
Lame speciali

Special blades

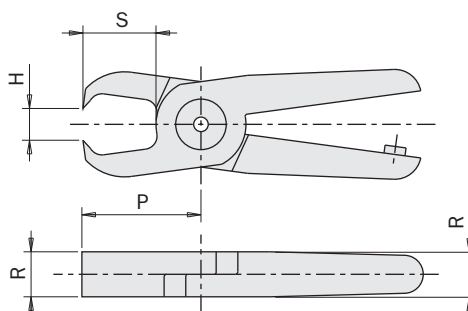
Style AA



Style AL



Style AE



Lame Blades	Taglierino Nipper	Tipo di lama Blade style	H	L	M	N	P	R	S	T	Peso Weight
G.N10LAB152	GN-10...	AA	10	15°	9	35	60.5	12	-	-	165 g
G.N20AB360	GN-20...	AA	15	15°	9	35	60.5	12	-	-	185 g
G.N30AA114	GN-30... GN-50...	AA	20 34	30°	25	50	76	17	-	-	385 g
G.N30AA	GN-30... GN-50...	AA	15 26	60°	27.7	32	55	17	-	-	390 g
G.N20ALLLL	GN-20...	AL	11	-	-	17	40	12	-	30	190 g
G.N30FAL	GN-30... GN-50...	AL	13 22	-	-	35	50	17	-	54	455 g
G.N10LAE269	GN-10...	AE	5	-	-	-	28	12	15.5	-	120 g
G.N20AE	GN-20...	AE	8.5	-	-	-	28	12	15.5	-	135 g
G.N30AE	GN-30... GN-50...	AE	12.5 20	-	-	-	45	17	28	-	395 g

Chiedere al fabbricante se è richiesto un tipo di lama diverso.

Consult manufacturer if a different kind of blade is needed.