

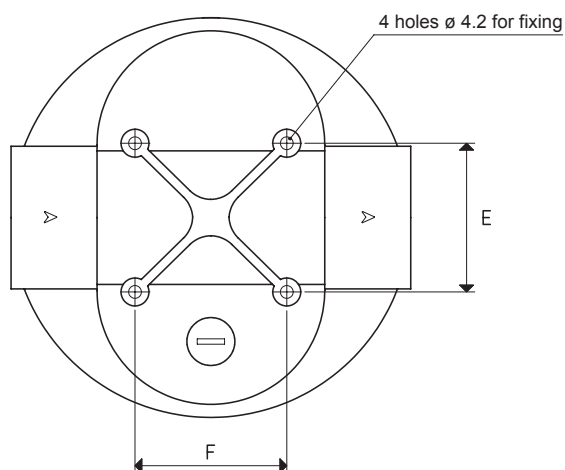
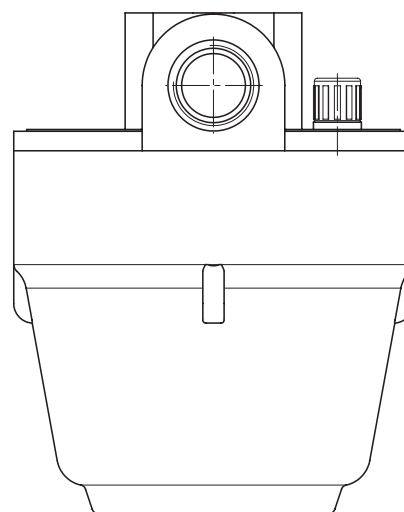
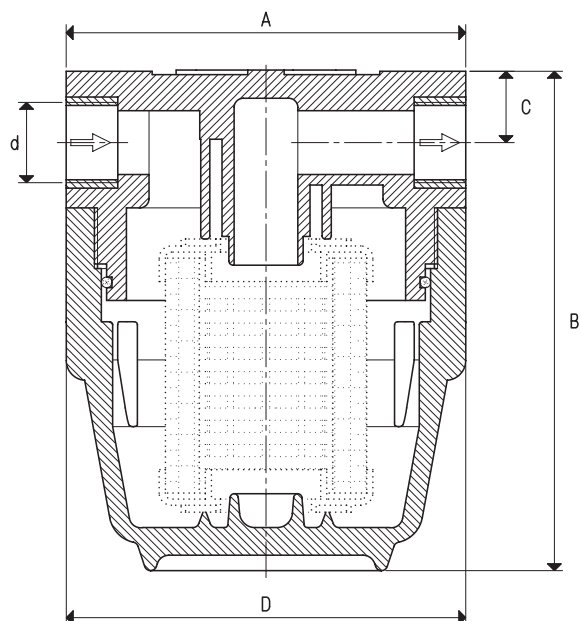
FP SERIES FILTERING CARTRIDGE CONTAINERS WITH COMPRESSION SEALING

The containers of the FP series are suited for the filtering cartridges with compression sealing and are composed of a transparent plastic container and a blue plastic head screwed together with an interposed seal. The number after the article indicates the length in inches of the filtering cartridge.

The cartridge can be chosen in various materials: pleated paper, pleated polypropylene mesh and stainless steel mesh AISI 304. In the following page are described the filtering cartridges with compression sealing, with all the indications regarding dimensions, materials and filtering degree of each one of them.

Technical features

Working pressure: from 0.5 to 9000 mbar abs.
Temperature of the sucked fluid: from -10 to 45 °C



Art.	d Ø	A	B	C	D Ø	E	F	Max capacity cum/h	Cartridge length	Cartridge art.	Weight Kg
FP 25/4	G3/4"	130	163	21	130	49	50	70	4"	SP/4 - SS/4 - SA/4	0.84
FP 30/4	G1"	143	169	24	130	50	51	100	4"	SP/4 - SS/4 - SA/4	0.91
NP	Key for clamping the container										

Note: The filtering cartridge is not part of the filtre, therefore, it must be ordered separately.

Conversion ratio: inch = $\frac{\text{mm}}{25.4}$; pounds = $\frac{\text{g}}{453.6} = \frac{\text{Kg}}{0.4536}$

GAS-NPT thread adapters available at page 1.117

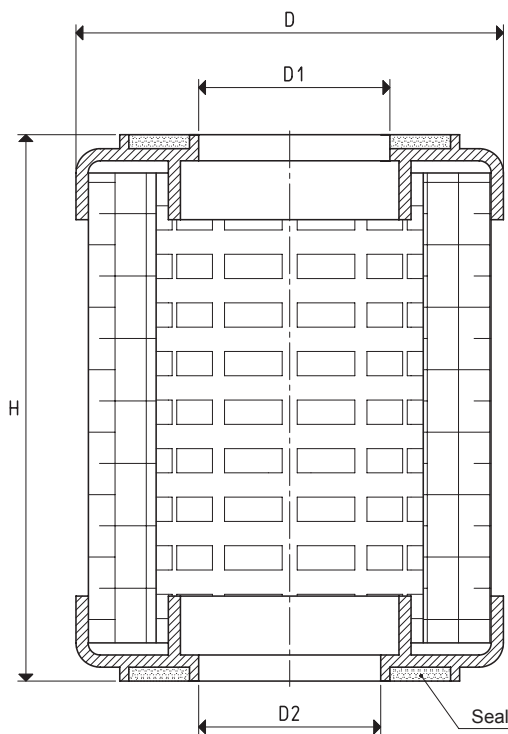
FILTERING CARTRIDGES WITH COMPRESSION SEALING

The filtering cartridges described in this page, once installed on their container, are able to retain the impurities and dust contained in the sucked fluid, interfering with the vacuum pump or generator capacity in a negligible manner.

They are produced with different materials that can be identified with the following abbreviations:

- Series SP. Pleated paper filtering cartridge with compression sealing.
- Series SS. Pleated polypropylene mesh filtering cartridge with compression sealing.
- Series SA. AISI 304 stainless steel mesh filtering cartridge with compression sealing.

The number after the article indicates the length in inches of the filtering cartridge.



3D drawings available at www.vuototecnica.net

Art.	D Ø	D1 Ø	D2 Ø	H	Length	Container art.	Filtering degree micron
SP/4	70	30	30	98	4"	FP 25/4 - FP 30/4	25
SS/4	70	30	30	98	4"	FP 25/4 - FP 30/4	50
SA/4	70	30	30	98	4"	FP 25/4 - FP 30/4	50

FM SERIES QUICK COUPLING FILTERING CARTRIDGE CONTAINERS

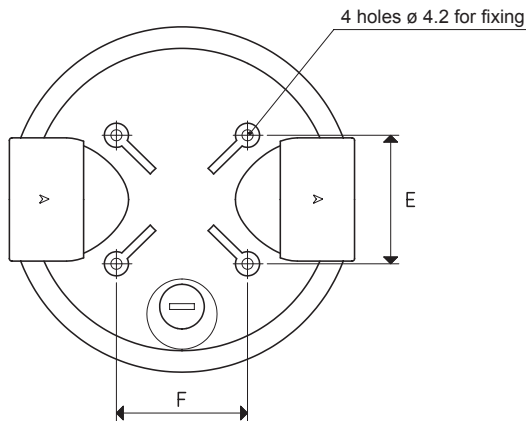
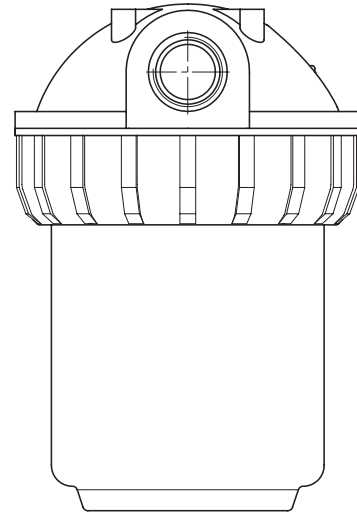
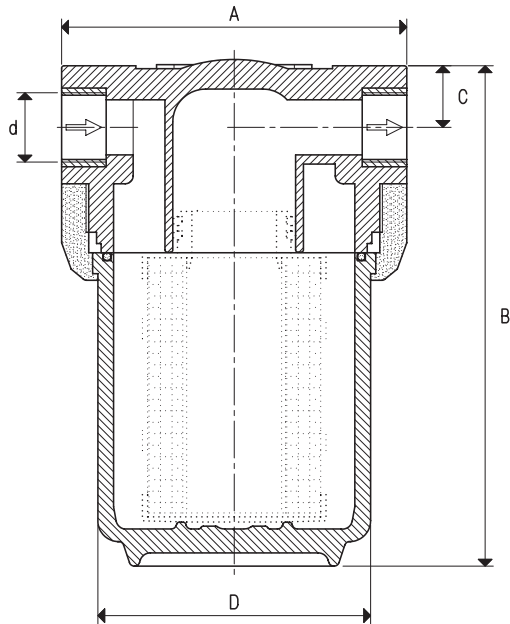
The containers of the FM series are suited for quick coupling filtering cartridges and are composed of a transparent SAN (Styrene-acrylic nitrile) container and a head with a reinforced polypropylene ring nut, coupled together with an interposed seal.

The number after the article indicates the length in inches of the filtering cartridge.

The cartridge can be chosen in various materials: pleated paper, pleated polypropylene mesh and AISI 304 stainless steel mesh. The quick coupling filtering cartridges are described at page 5.27, with all the indications regarding dimensions, materials and filtering degree of each one of them.

Technical features

Working pressure: from 0.5 to 9000 mbar abs.
Temperature of the sucked fluid: from -10 to 45 °C



Art.	d Ø	A	B	C	D Ø	E	F	Max capacity cum/h	Cartridge length	Cartridge art.	Weight Kg
FM 20/7	G1/2"	133	241	18	100	48	49	30	7"	RP/7 - RS/7 - RA/7	0.75
FM 25/7	G3/4"	133	241	21	100	49	50	70	7"	RP/7 - RS/7 - RA/7	0.87
FM 30/7	G1"	145	247	24	100	50	51	100	7"	RP/7 - RS/7 - RA/7	0.99
FM 25/10	G3/4"	133	315	21	100	49	50	70	10"	RP/10 - RS/10 - RA/10	1.05
FM 30/10	G1"	145	321	24	100	50	51	100	10"	RP/10 - RS/10 - RA/10	1.17
NF	Key for tightening the ring nut										

Note: The filtering cartridge is not part of the filtre, therefore, it must be ordered separately.

Conversion ratio: inch = $\frac{\text{mm}}{25.4}$; pounds = $\frac{\text{g}}{453.6} = \frac{\text{Kg}}{0.4536}$

GAS-NPT thread adapters available at page 1.117

FK SERIES QUICK COUPLING FILTERING CARTRIDGE CONTAINERS

The containers of the FK series are suited for quick coupling filtering cartridges and are composed of a transparent PET (Polyethylene terephthalate) container and a head with a brass ring nut coupled together with an interposed seal.

The number after the article indicates the length in inches of the filtering cartridge.

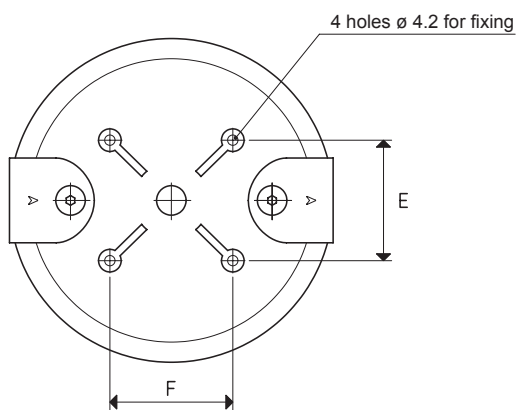
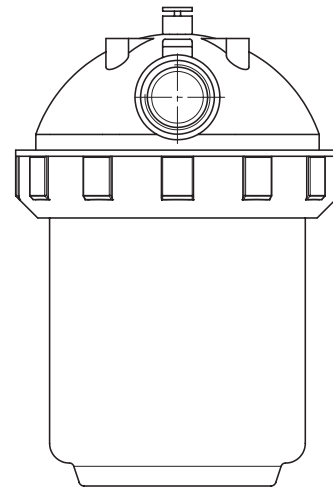
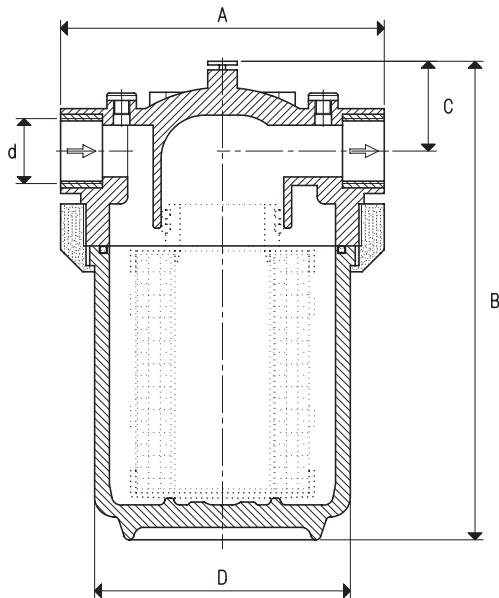
The cartridge can be chosen in various materials:

pleated paper, pleated polypropylene mesh and AISI 304 stainless steel mesh. The quick coupling filtering cartridges are described at page 5.27, with all the indications regarding dimensions, materials and filtering degree of each one of them.

Technical features

Working pressure: from 0.5 to 9000 mbar abs.

Temperature of the sucked fluid: from -10 to 45 °C



3D drawings available at www.vuototecnica.net

Art.	d Ø	A	B	C	D Ø	E	F	Max capacity cum/h	Cartridge length	Cartridge art.	Weight Kg
FK 25/7	G3/4"	125	226	24	100	49	50	70	7"	RP/7 - RS/7 - RA/7	1.64
FK 30/7	G1"	130	232	27	100	50	51	100	7"	RP/7 - RS/7 - RA/7	1.88
FK 25/10	G3/4"	125	300	24	100	49	50	70	10"	RP/10 - RS/10 - RA/10	2.12
FK 30/10	G1"	130	306	27	100	50	51	100	10"	RP/10 - RS/10 - RA/10	2.35
FK 50/10	G1" 1/2	140	319	30	100	51	52	200	10"	RP/10 - RS/10 - RA/10	2.58
FK 60/10	G2"	140	336	33	100	52	53	300	10"	RP/10 - RS/10 - RA/10	2.69
FK 30/20	G1"	130	564	27	100	50	51	100	20"	RP/20 - RS/20 - RA/20	2.97
FK 50/20	G1" 1/2	140	576	30	100	51	52	200	20"	RP/20 - RS/20 - RA/20	3.20
FK 60/20	G2"	140	593	33	100	52	53	300	20"	RP/20 - RS/20 - RA/20	3.31
NK	Key for tightening the ring nut										

Note: The filtering cartridge is not part of the filter, therefore, it must be ordered separately.

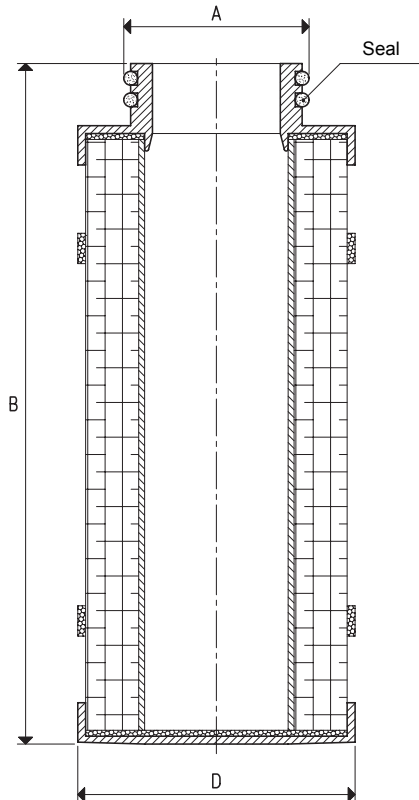
QUICK COUPLING FILTERING CARTRIDGES

The filtering cartridges described in this page, once installed on their container, are able to retain the impurities and dust contained in the sucked fluid, interfering with the vacuum pump or generator capacity in a negligible manner.

They are produced with different materials that can be identified with the following abbreviations:

- Series RP. Pleated paper quick coupling filtering cartridge with double O-ring.
- Series RS. Pleated polypropylene mesh quick coupling filtering cartridge with double O-ring.
- Series RA. AISI 304 stainless steel mesh quick coupling filtering cartridge with double O-ring.

The number after the article indicates the length in inches of the filtering cartridge.



Art.	A Ø	B	D Ø	Length	Container art.	Filtering degree micron
RP/7	45	173	70	7"	FM ../7 - FK ../7	25
RP/10	45	250	70	10"	FM ../10 - FK ../10	25
RP/10/57	57	250	70	10"	FK50/10 - FK60/10	25
RP/20	45	505	70	20"	FM ../20 - FK ../20	25
RP/20/57	57	505	70	20"	FK50/20 - FK60/20	25
RS/7	45	173	70	7"	FM ../7 - FK ../7	50
RS/10	45	250	70	10"	FM ../10 - FK ../10	50
RS/10/57	57	250	70	10"	FK50/10 - FK60/10	50
RS/20	45	505	70	20"	FM ../20 - FK ../20	50
RS/20/57	57	505	70	20"	FK50/20 - FK60/20	50
RA/7	45	173	70	7"	FM ../7 - FK ../7	50
RA/10	45	250	70	10"	FM ../10 - FK ../10	50
RA/10/57	57	250	70	10"	FK50/10 - FK60/10	50
RA/20	45	505	70	20"	FM ../20 - FK ../20	50
RA/20/57	57	505	70	20"	FK50/20 - FK60/20	50