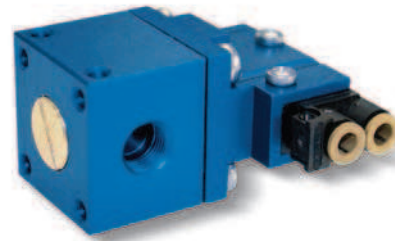
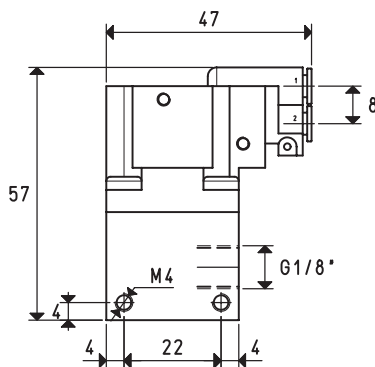


① - MINI PNEUMATIC VACUUM SWITCH

The vacuum switch removes a pneumatic signal as soon as a determined adjustable vacuum level is reached. The pressure differential between the set maximum value and the value of reset of the rest signal cannot be adjusted and it is equal to approximately 100 mbar.

The pneumatic vacuum switch installed on PVP 25 ÷ 75 MDX vacuum generators intervene on the supply slide valve and automatically maintain the maximum and minimum vacuum level within the differential level.

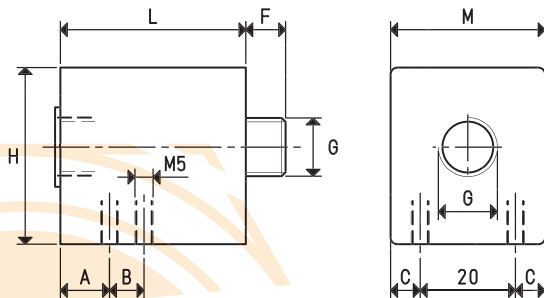


Art.	For generator art.	Weight g
12 02 30 X	PVP 25 ÷ 50 MDX	104
	PVP 60 ÷ 75 MDX	

② - SERVO-CONTROLLED SUPPLY SLIDE VALVE

This valve is provided with slide shutter that, once pneumatically activated by the vacuum switch or by alternative sources intercepts the generator compressed air supply, with pressure ranging from 1.5 and 7 bar (g).

The value is according to the generator supply connection.

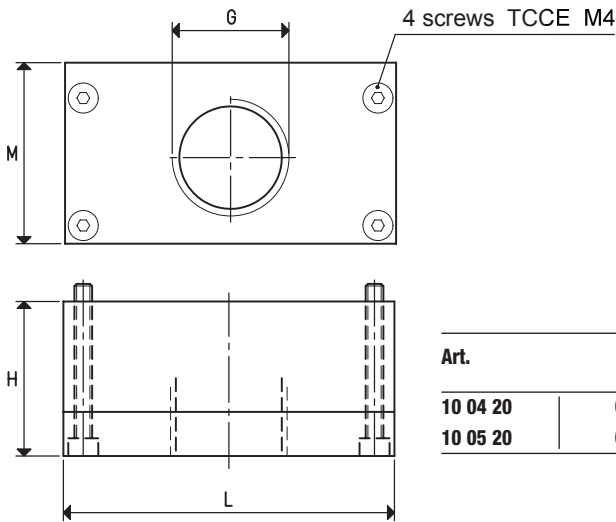


Art.	A	B	C	F	G ∅	H	L	M	Weight g	For generator art.
07 01 70	11.5	8.0	7.5	9.5	G1/4"	40	42	35	190	PVP 25 ÷ 50 MDX
07 02 70	13.5	9.5	12.5	9.5	G3/8"	50	51	45	420	PVP 60 ÷ 75 MDX

3D drawing available at www.vuototecnica.net

③ - MEMBRANE CHECK VALVE

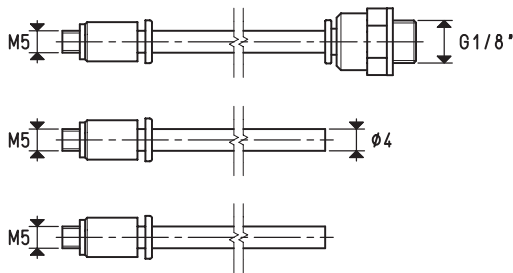
This check valve has been specially designed for PVP 25 ÷ 75 MDX vacuum generators. Its distinctive feature, along with its shape, is its membrane check valve that guarantees minimal load loss, quick intervention and perfect sealing.



Art.	G Ø	H	L	M	Weight g	For generator art.
10 04 20	G3/4"	35	75	41	165	PVP 25 ÷ 50 MDX
10 05 20	G1"	48	113	58	458	PVP 60 ÷ 75 MDX

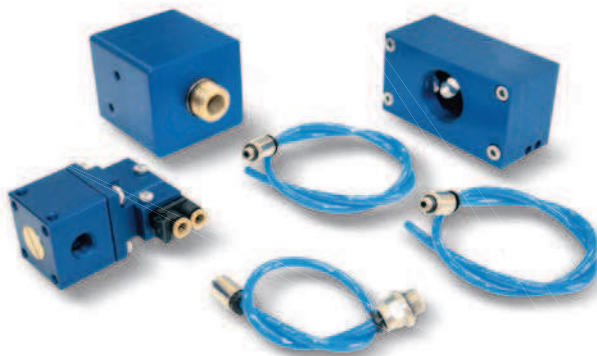
④ - HOSE KIT WITH FITTINGS

This hose kit is for connecting the vacuum switch to the supply slide valve and to the membrane check valve. On the hose ends are installed the special quick couplers to screw onto the valve and vacuum switch connections.



Art.	For generator art.	Weight g
00 15 308	PVP 25 ÷ 50 MDX PVP 60 ÷ 75 MDX	16

COMPLETE ES ENERGY SAVING
DEVICE KIT



Art.	For generator art.	Weight g
ES 01	PVP 25 ÷ 50 MDX	475
ES 02	PVP 60 ÷ 75 MDX	998

Note: To order multi-stage vacuum generators with energy-saving device, add the letters ES to the the code (E.g.: PVP 25 MDX ES).