

SERVO-CONTROLLED 3-WAY VACUUM SOLENOID VALVES WITH 2 ELECTRIC COILS

These solenoid valves have the same function and the same structure as the previous ones. Their distinctive features are the two coils that with a simple electric impulse, exchange the shutter positions and keep them in this position till the next impulse even in absence of compressed air at the servo control and of electric current.

For this feature, they are especially indicated in all those cases which require a safe connection to the vacuum source, even in absence of electric or pneumatic supply. The standard electric coils are fully plasticised with synthetic resin, tight execution, insulation class F (up to 155 °C) compliant with VDE standards, with 6.3 mm 3-terminal electrical connections in compliance with EN 175301-803 (ex DIN 43650). Protection degree IP 54; IP 65 for inserted connector.

Allowed tolerance on the voltage nominal value: $\pm 10\%$.

Max. absorption: $8 \div 16.5$ V.A. with AC and $6.5 \div 16$ W with DC.

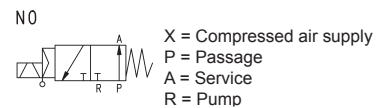
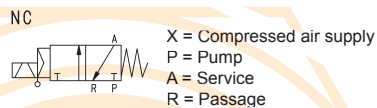
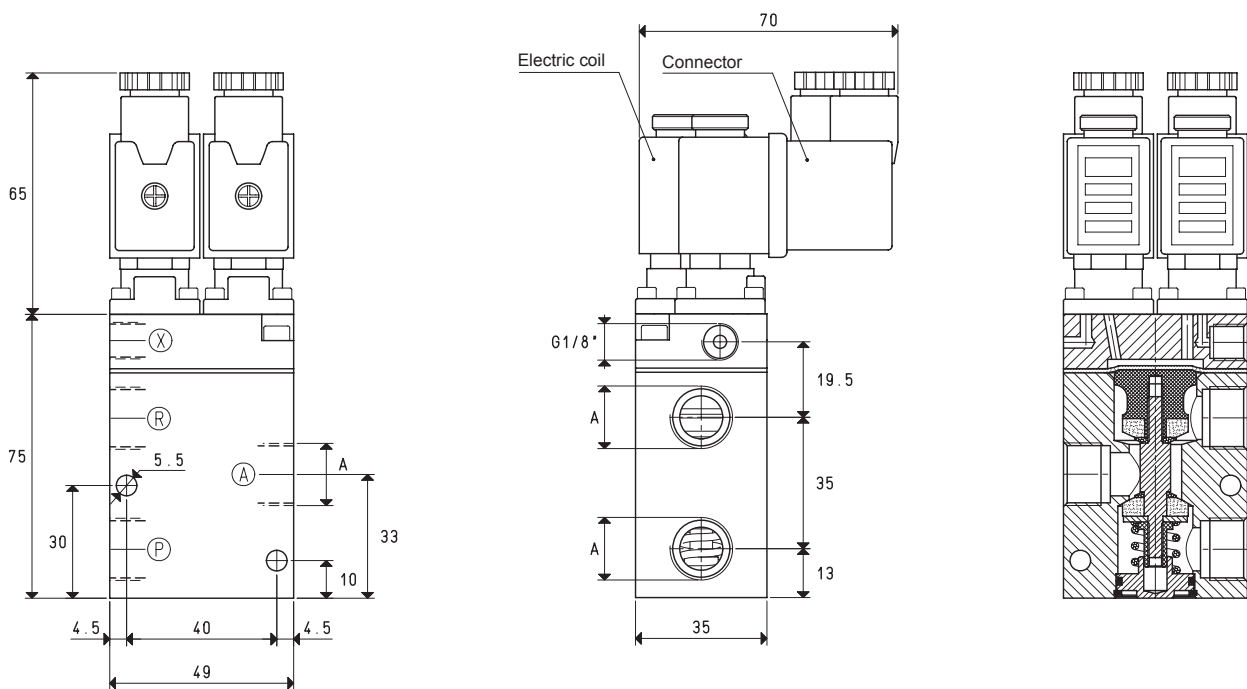
The electric coils can be rotated by 360°. The connector can be rotated by 180° on the coils and can be supplied, upon request, with Led lights, anti-interference circuit and/or with protection devices against overvoltage and polarity reversal.

Technical features

Working pressure: from 0.5 to 3000 mbar abs.

Servo-control pressure: see table

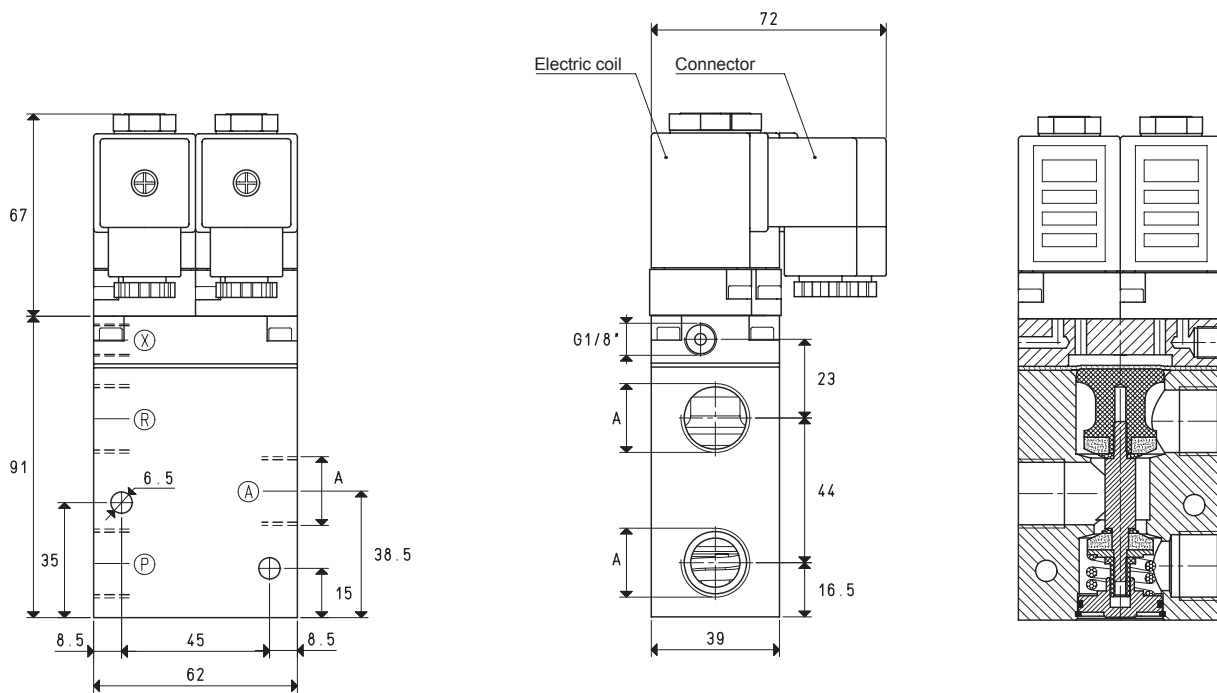
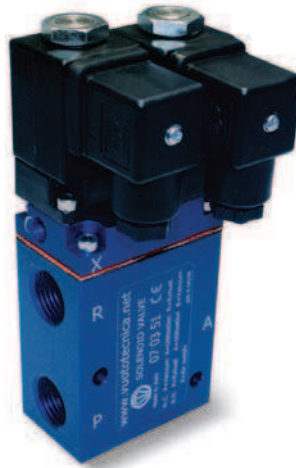
Temperature of the sucked fluid: from -5 to +60 °C



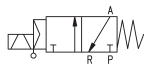
Art.	A Ø	Max. capacity cum/h	Vacuum level mbar abs.		Reaction time msec		Ø orifice	Passage section mm ²	Servo-control pressure bar (g)	Weight Kg
			min	max	exc.	deexc.				
07 01 51	G1/4"	6	1000	0.5	16	27	8.5	56.8	4 ÷ 7	0.59
07 02 51	G3/8"	10	1000	0.5	16	27	11.5	103.8	4 ÷ 7	0.58

Note: Coils and connectors are not integral part of the solenoid valves, therefore, they must be ordered separately (See solenoid valve accessories).

SERVO-CONTROLLED 3-WAY VACUUM SOLENOID VALVES WITH 2 ELECTRIC COILS

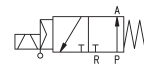


NC



X = Compressed air supply
P = Pump
A = Service
R = Passage

N0



X = Compressed air supply
P = Passage
A = Service
R = Pump

Art.	A	Max. capacity cum/h	Vacuum level mbar abs.		Reaction time msec		Ø orifice	Passage section mm ²	Servo-control pressure *bar (g)	Weight Kg
			min	max	exc.	deexc.				
07 03 51	G1/2"	20	1000	0.5	16	40	15.0	176	6 ÷ 8	0.97

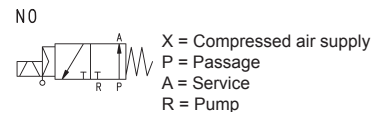
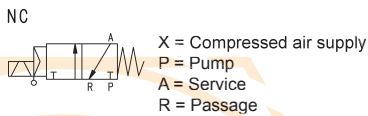
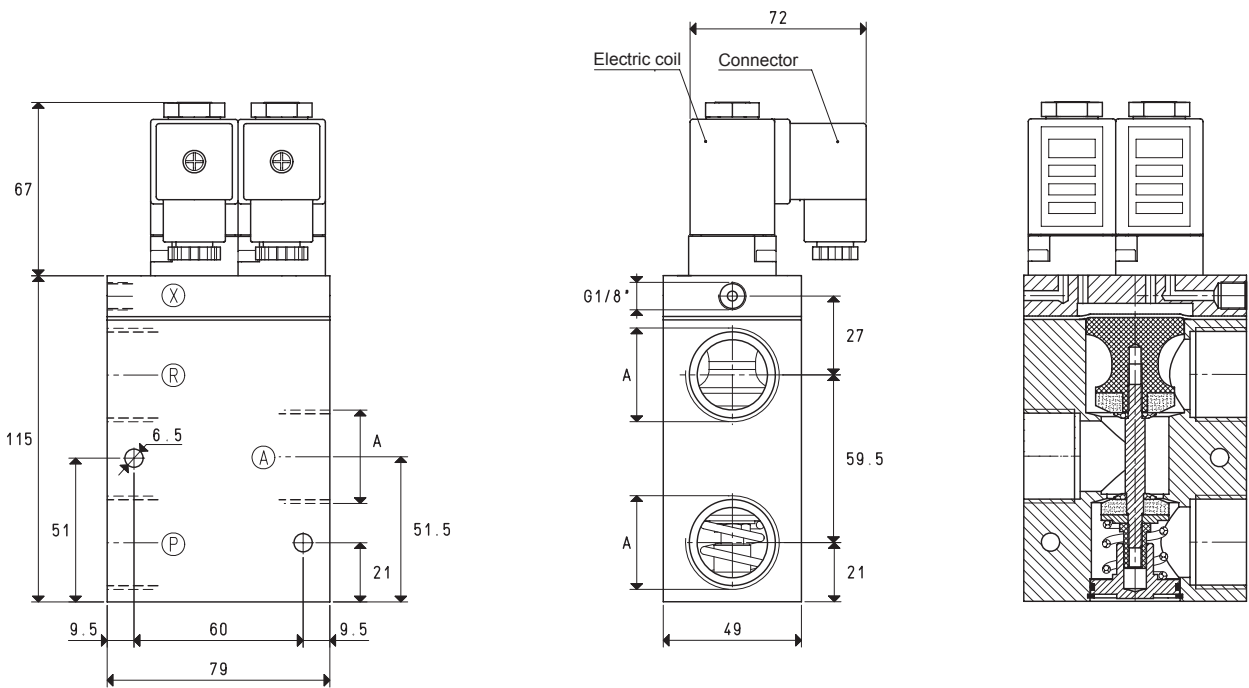
* Add the letters LP to the article for servo-control pressure 4 ÷ 6 bar (g).

Note: Coils and connectors are not integral part of the solenoid valves, therefore, they must be ordered separately (See solenoid valve accessories).

Conversion ratio: inch = $\frac{\text{mm}}{25.4}$; pounds = $\frac{\text{g}}{453.6}$ = $\frac{\text{Kg}}{0.4536}$

GAS-NPT thread adapters available at page 1.117

SERVO-CONTROLLED 3-WAY VACUUM SOLENOID VALVES WITH 2 ELECTRIC COILS



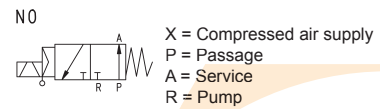
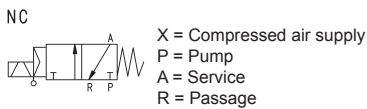
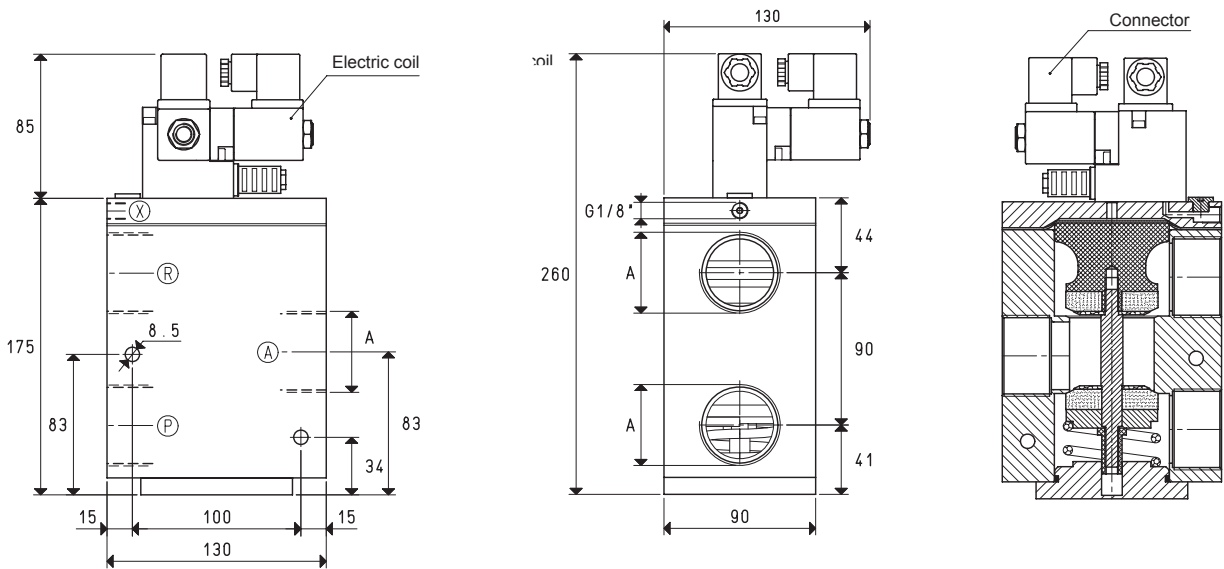
Art.	A	Max. capacity cum/h	Vacuum level mbar abs.		Reaction time msec		Ø orifice	Passage section mm ²	Servo-control pressure *bar (g)	Weight Kg
			min	max	exc.	deexc.				
07 04 51	G3/4"	40	1000	0.5	16	40	20	314	6 ÷ 8	1.51
07 05 51	G1"	90	1000	0.5	18	42	25	490	6 ÷ 8	1.41

* Add the letters LP to the article for servo-control pressure 4 ÷ 6 bar (g).

Note: Coils and connectors are not integral part of the solenoid valves, therefore, they must be ordered separately (See solenoid valve accessories).

3D drawings available at www.vuototecnica.net

SERVO-CONTROLLED 3-WAY VACUUM SOLENOID VALVES WITH 2 ELECTRIC COILS



Art.	A Ø	Max. capacity cum/h	Vacuum level mbar abs.		Reaction time msec		Ø orifice	Passage section mm ²	Servo-control pressure *bar (g)	Weight Kg
			min	max	exc.	deexc.				
07 06 51	G1" 1/2	180	1000	0.5	60	38	40	1256	6 ÷ 8	5.24

* Add the letters LP to the article for servo-control pressure 4 ÷ 6 bar (g).

Note: Coils and connectors are not integral part of the solenoid valves, therefore, they must be ordered separately (See solenoid valve accessories).

Conversion ratio: inch = $\frac{\text{mm}}{25.4}$ · pounds = $\frac{\text{g}}{453.6}$ = $\frac{\text{Kg}}{0.4536}$

GAS-NPT thread adapters available at page 1.117