

PNEUMATIC AND BLOWING PUMPS SUCTION FILTRES

To allow the pneumatic suction and blowing pumps to work even in very dusty environments it is necessary to use these filtres that, installed on the suction inlet connection, can keep the finest dust and impurities and affecting the capacity in a negligible manner.

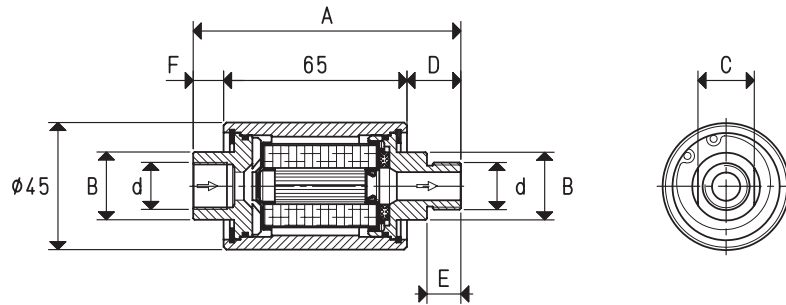
The filtering cartridges, in fact, are made with a special treated paper with a porosity level of 5 ÷ 7 micron, and pleated to increase the filtering surface.

FCL filtres are composed of a transparent plexiglas cylindrical body inside of which is located the filtering cartridge locked by two anodised aluminium flanges that are kept in place by seeger rings, inside of which the threaded connectors and the seals are housed.

The filtres can be inspected by simply removing one of the two flanges.

The container of the filtering element FP is made with plastic and it is screwed onto the blue plastic lid; a gasket located between the two elements ensures a perfect seal.

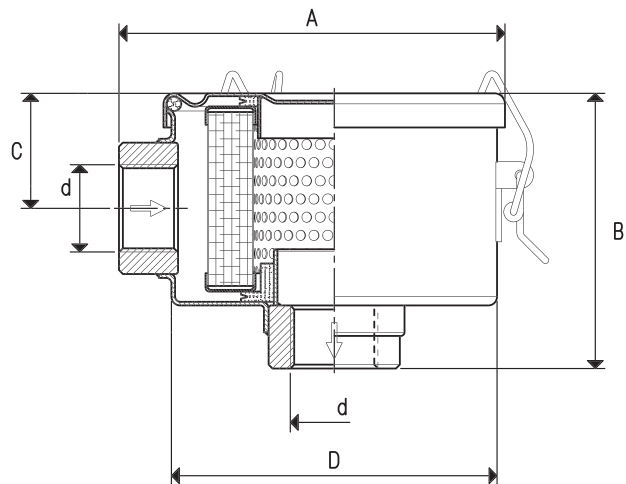
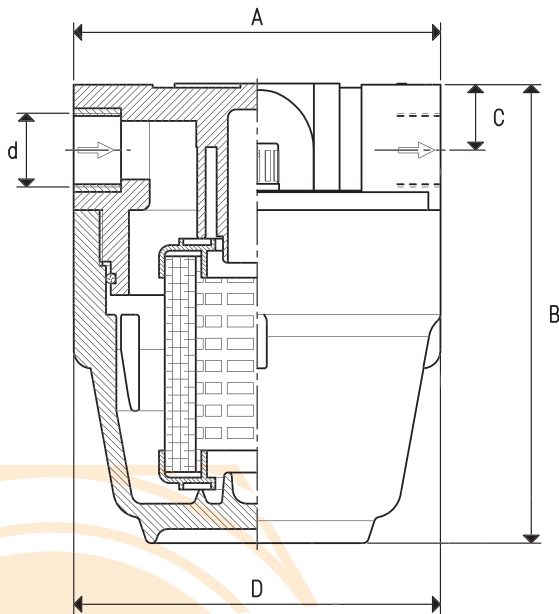
The container of the filtering element FC, as well as its lid, are made with sheet steel and varnished with a special oxidation-resistant treatment. A gasket between the lid and the container ensures a perfect vacuum seal, while the release clamps on the container allow a quick opening of the lid to check or replace the filtering cartridge.



Art.	d Ø	A	B Ø	C	D	E	F	Max. capacity cum/h	For pumps art.	Weight Kg	Spare cartridge art.
FCL 1 MF	G1/4"	91.2	20	17	19.1	12	7.1	5	PA - PS 3	0.12	00 FCL 03
FCL 2 MF	G3/8"	93.4	24	20	19.1	12	9.3	20	PA - PS 7 - 10 - 14 - 18	0.14	00 FCL 03

Art. FP 30/4/SP

Art. FC 38
Art. FC 55



Art.	d Ø	A	B	C	D Ø	Max. capacity cum/h	For pumps art.	Weight Kg	Spare cartridge art.
FP 30/4/SP	G1"	145	169	24	130	100	PA - PS 40 ÷ 100	1.00	SP/4
FC 38	G1" 1/2	143	101	45	120	200	PA - PS 140 ÷ 200	0.95	00 FC 15
FC 55	G2"	143	170	79	120	300	PA - PS 250 ÷ 300	1.29	00 FC 33

3D drawings available at www.vuototecnica.net

Vacuum gauge Ø 40 mm with 1/8" coaxial gas coupler



Art.	For pneumatic pumps
09 03 15	PA - PS 40 ÷ 300

Pressure gauge Ø 40 mm with 1/8" coaxial gas coupler



Art.	For pneumatic pumps
09 03 25	All
09 03 20	PS 40 ÷ 300

1/8" gas pressure reducer



Art.	For pneumatic pumps
MREG 1-08	PA 3 - 7 - 10 - 14 - 18 PS 3 - 7 - 10 - 14 - 18

1/2" gas filtre/pressure reducer



Art.	For pneumatic pumps
FR4-08-05-S	PA 40 - 70 - 100 - 140 - 170 - 200 - 250 - 300 PS 40 - 70 - 100 - 140 - 170 - 200 - 250 - 300

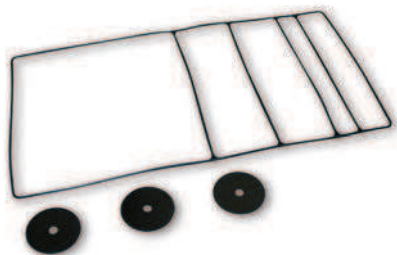
PNEUMATIC PUMP SPARE PARTS

Sealing kit and reed valves



Art.	For pneumatic pumps art.
00 KIT M 3	PA 3 - PS 3
00 KIT M 7	PA 7 - PS 7
00 KIT M 10	PA 10 - PS 10
00 KIT M 14	PA 14 - PS 14
00 KIT M 18	PA 18 - PS 18

Sealing kit and disc valves



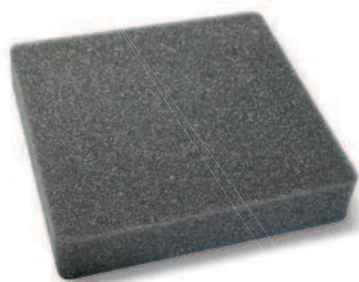
Art.	For pneumatic pumps art.
00 KIT PVP 40 M	PA 40 - PS 40
00 KIT PVP 70 M	PA 70 - PS 70
00 KIT PVP 100 M	PA 100 - PS 100
00 KIT PVP 140 M	PA 140 - PS 140
00 KIT PVP 170 M	PA 170 - PS 170
00 KIT PVP 200 M	PA 200 - PS 200
00 KIT PVP 250 M	PA 250 - PS 250
00 KIT PVP 300 M	PA 300 - PS 300

Exhaust silencers SSX



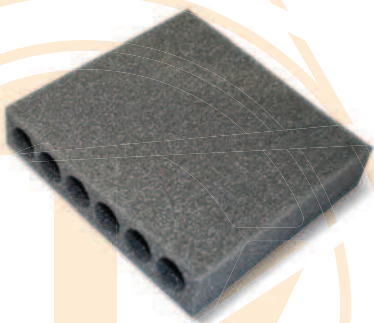
Art.	For pneumatic pumps
SSX 1/4"	PA 3
SSX 3/8"	PA 7 - 10 - 14
SSX 1/2"	PA 18

Sound absorbing material on the exhaust



Art.	For pneumatic pumps art.	Quantity
00 15 110	PA 40 - PS 40	N°1 piece
	PA 70 - PS 70	N°1 piece
	PA 100 - PS 100	N°1 piece
	PA 140 - PS 140	N°1 piece
	PA 170 - PS 170	N°1 piece
	PA 200 - PS 200	N°1 piece
	PA 250 - PS 250	N°1 piece
	PA 300 - PS 300	N°1 piece

Sound absorbing material on ejectors



Art.	For pneumatic pumps art.	Quantity
00 15 111	PA 40 - PS 40	N°1 piece
	PA 70 - PS 70	N°1 piece
	PA 100 - PS 100	N°1 piece
	PA 140 - PS 140	N°2 pieces
	PA 170 - PS 170	N°2 pieces
	PA 200 - PS 200	N°2 pieces
	PA 250 - PS 250	N°3 pieces
	PA 300 - PS 300	N°3 pieces