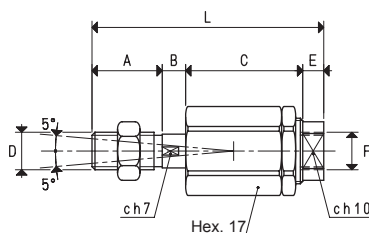
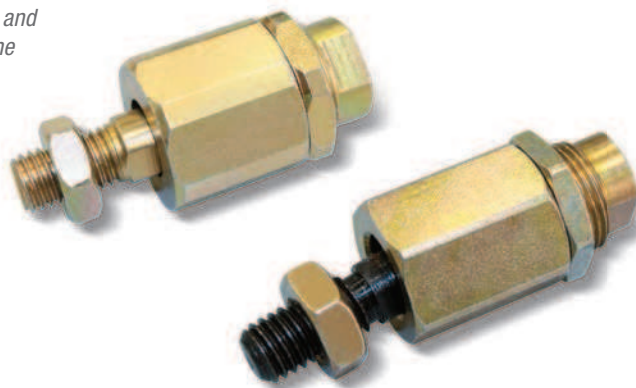
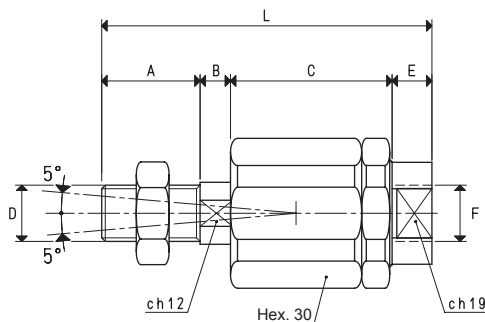


SPHERICAL ARTICULATED JOINTS

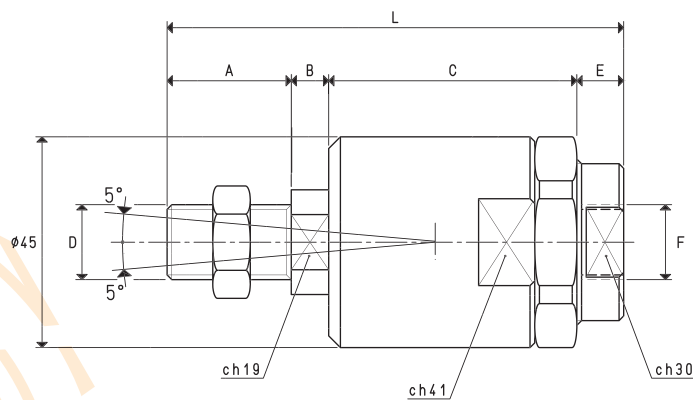
Our spherical articulated joints are made with hardened steel. Assembled to the cup holders, they compensate offsets, orthogonality and flatness errors that often arise between the cups and the surface of the load to be lifted.



Art.	A	B	C	D	E	F	L	Weight
GSM8	15	5	25	M8	4.5	M8	49.5	55



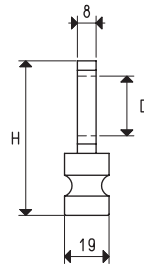
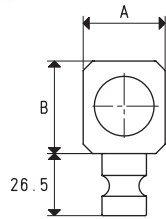
Art.	A	B	C	D	E	F	L	Weight
GSM12	21	6.5	34.5	M12	8.5	M12	70.5	220



Art.	A	B	C	D	E	F	L	Weight
GSM16	26.5	8	53	M16	10	M16	97.5	670

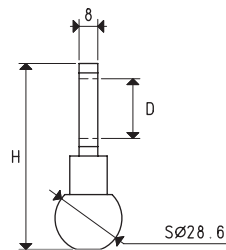
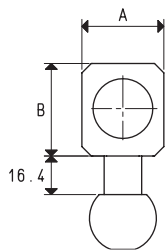
CUP HOLDER FIXING SUPPORTS

The first two supports shown in this page are made with stainless steel and are suited for fastening the cup holder to the machine by means of a slotted cylindrical pin or a spherical pin housed in the machine. The third support, on the other hand, is made with aluminium and it is composed of two parts that, screwed together, block the spherical joint, allowing to keep the cup holder in the desired position.



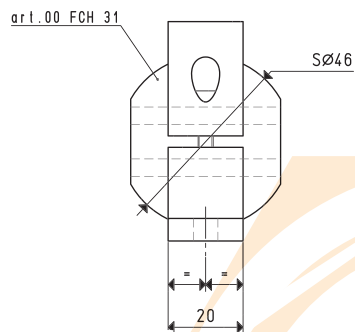
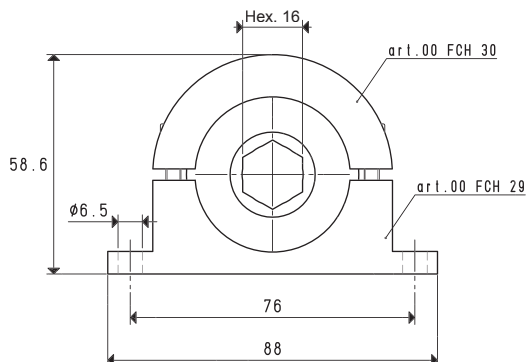
SUPPORTS WITH SLOTTED CYLINDRICAL PIN

Art.	A	B	D	H	Cup holder	Weight
			\emptyset			g
00 FCH 10	35	39.5	25.5	79.5	special anti-rotation	102
00 FCH 11	30	33.5	20.5	73.5	basic	90



SUPPORTS WITH SPHERICAL PIN

Art.	A	B	D	H	Cup holder	Weight
			\emptyset			g
00 FCH 20	35	39.5	25.5	79.5	special anti-rotation	168
00 FCH 21	30	33.5	20.5	73.5	basic	154

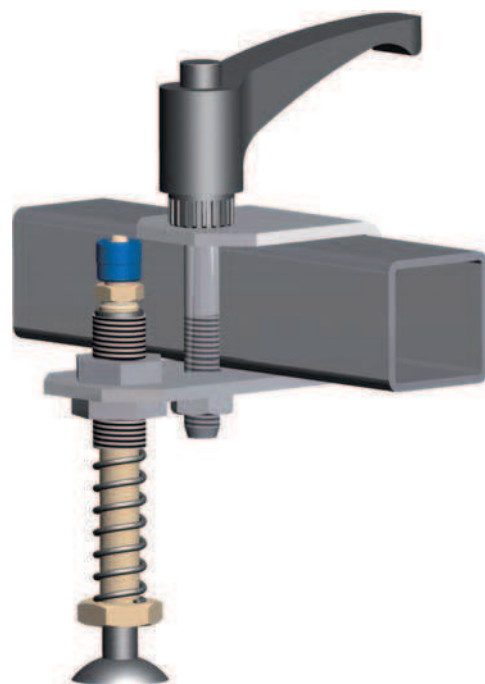
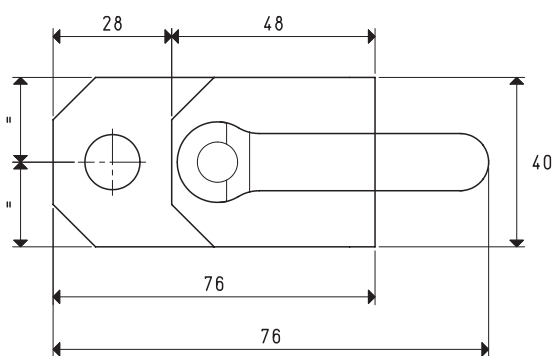
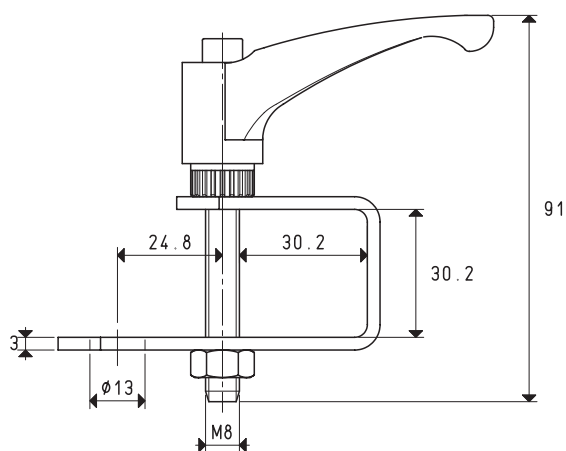


SUPPORTS WITH BUILT-IN SPHERICAL JOINT

Art.	Cup holder	Weight
		g
FCH 16	special anti-rotation	156

CUP HOLDER FIXING SUPPORTS

The supports described in the following in these pages are made with galvanised sheet steel and they are used to fasten the various types of cup holders to the machine, generally made up of a square tube frame. The screw or the handle with which they are equipped quickly block the support in position.



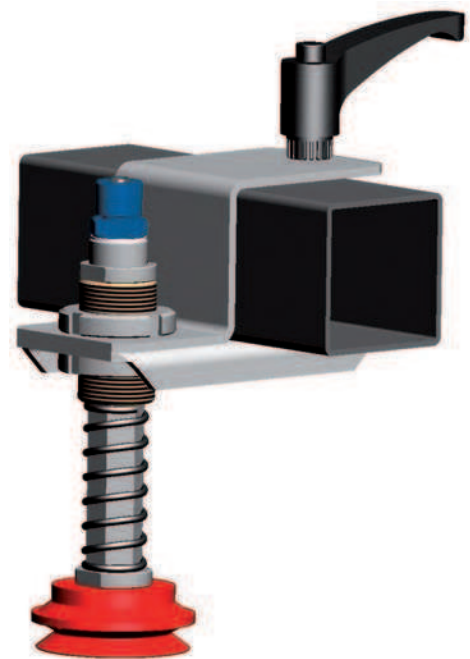
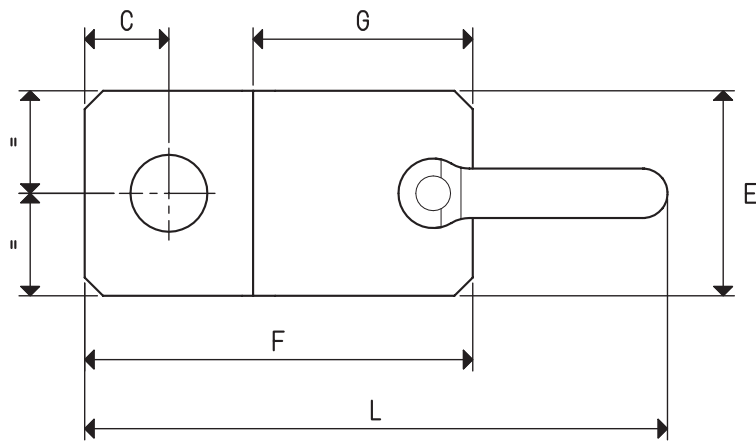
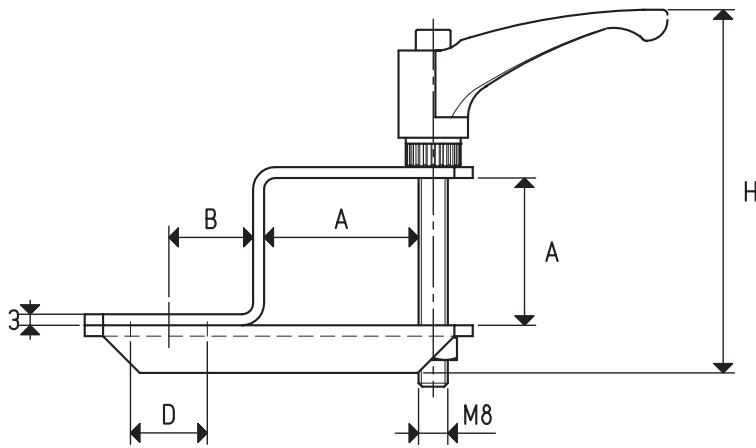
3D drawings available at www.vuototecnica.net

TUBULAR SUPPORT \varnothing 30

Art.	Tubular section	Cup holder	Weight
SFP 01	\varnothing 30	mini	g 160

2.164

Conversion ratio: inch = $\frac{\text{mm}}{25.4}$; pounds = $\frac{\text{g}}{453.6} = \frac{\text{Kg}}{0.4536}$



TUBULAR SUPPORTS Ø 40 - 50

Art.	Tubular section Ø	A	B	C	D	E	F	G	H	L	Cup holder	Weight g
SFP 02	40	40.2	23	23	21	56	106	60	99	159	basic	350
SFP 03	40	40.2	23	23	25	56	106	60	99	159	special anti-rotation	338
SFP 04	40	40.2	30	30	36	70	120	60	99	173	special	438
SFP 05	50	50.2	23	23	21	56	116	70	109	169	basic	370
SFP 06	50	50.2	23	23	25	56	116	70	109	169	special anti-rotation	377
SFP 07	50	50.2	30	30	36	70	130	70	109	183	special	490

Conversion ratio: inch = $\frac{\text{mm}}{25.4}$; pounds = $\frac{\text{g}}{453.6}$ = $\frac{\text{Kg}}{0.4536}$