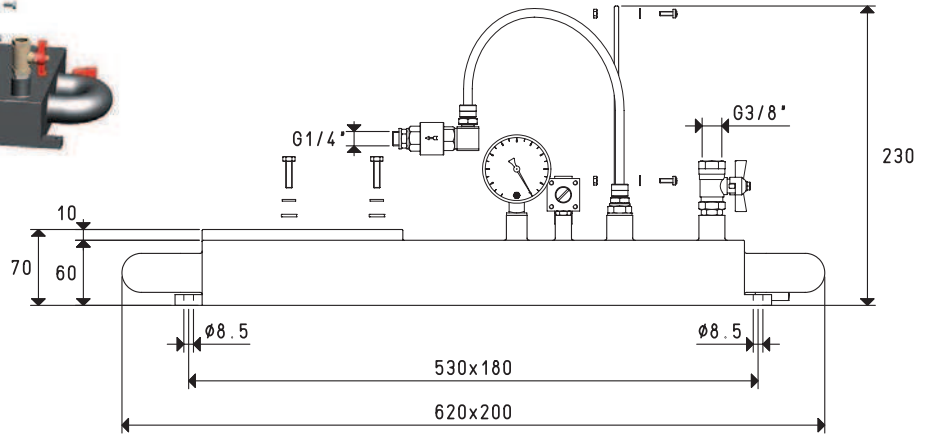
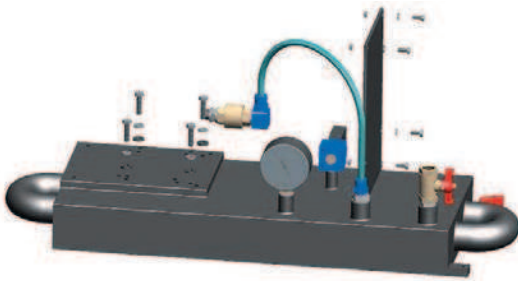


PUMPSET AND MINI PUMPSET COMPONENTS

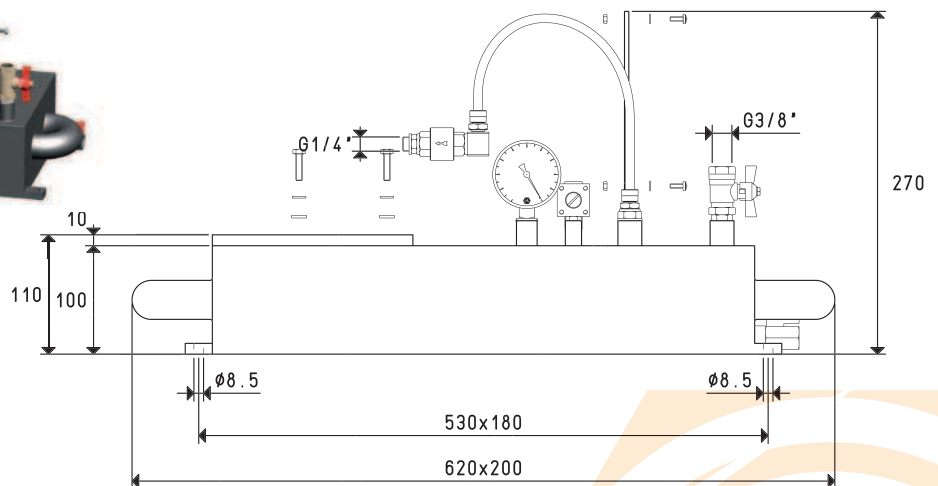
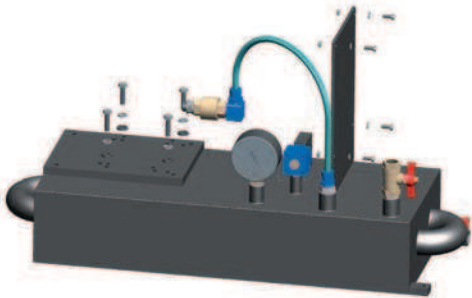
Mini pumpset tanks

Mini pumpset tanks are horizontal and have a rectangular section. They are made with welded sheet steel with perfect vacuum seal and varnished with special corrosion and water condensation-resistant paint. They are set for the installation of a vacuum pump and a switchgear to be selected from those listed in the table. They are equipped with:

- A mini vacuum switch for adjusting the maximum vacuum level.
 - A vacuum gauge for a direct reading of the vacuum level in the tank.
 - A check valve adjusted to the pump
 - A manual valve for vacuum interception.
 - A cock for condensation drainage.
 - Hoses, fittings and screws for fixing the pump to the tank.
- Available with a 6, 10 and 20 litre volume.

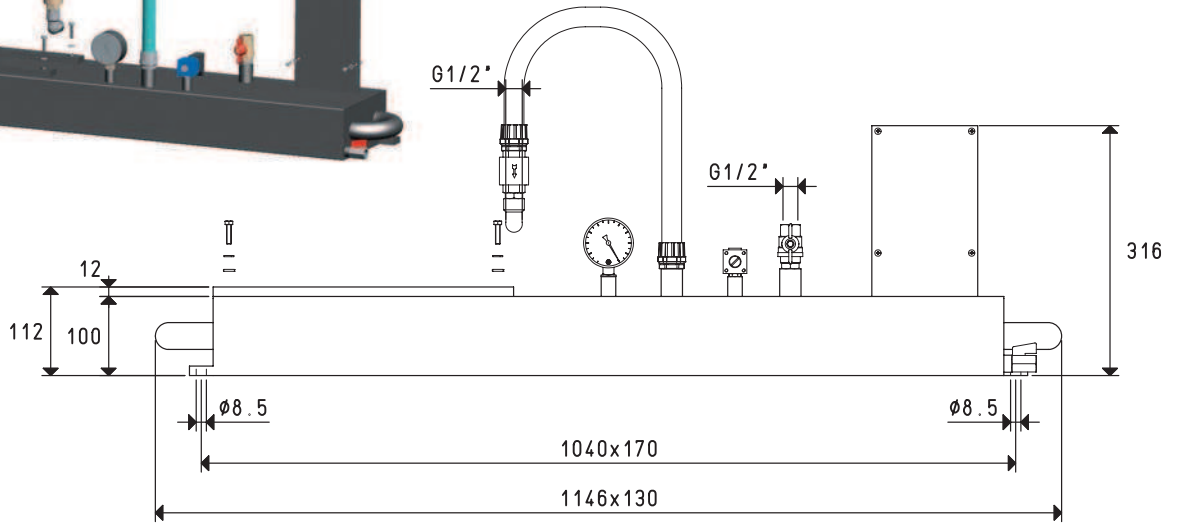
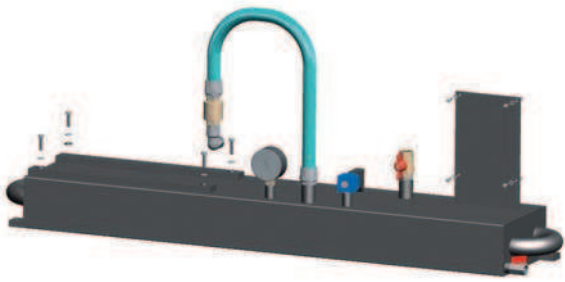


Art.	Tank	Weight	For:		Recommended filtre accessories art.
			Pump	Switchgear	
	Litres	Kg	Mod.	art.	
DO 06 01	6	7.5	VTS 2 - VTS 4 - VTS 6 - VTS 6 CC	DO 06 90	FB 10 / FC 10
			VTL 2 - VTL 4 - VTL 5 - VTL 6 CC	DO 06 92	
				DO 06 93	

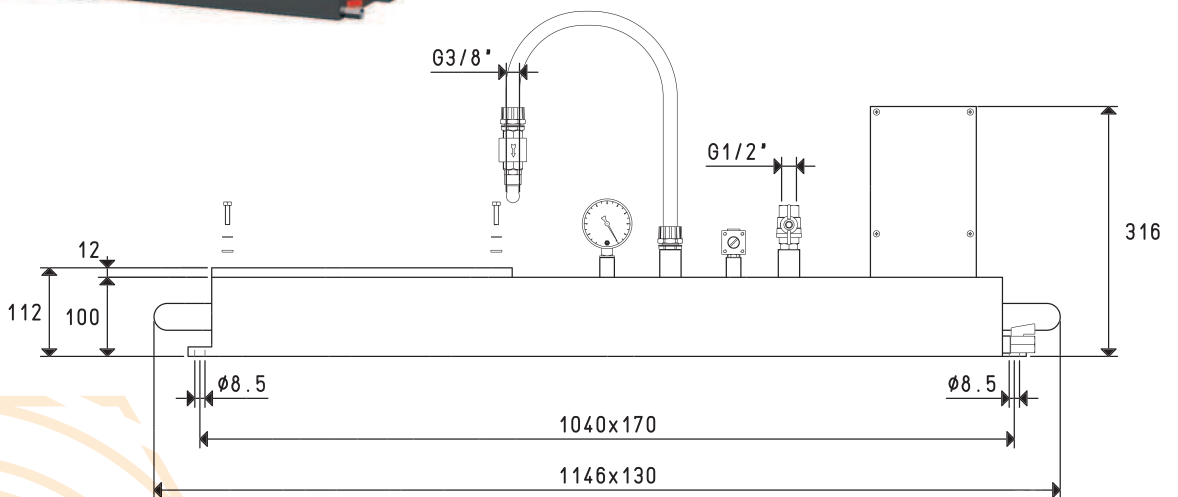
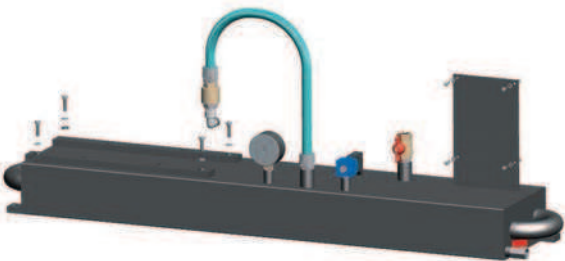


Art.	Tank	Weight	For:		Recommended filtre accessories art.
			Pump	Switchgear	
	Litres	Kg	Mod.	art.	
DO 10 01	10	11.7	VTS 2 - VTS 4 - VTS 6 - VTS 6 CC	DO 06 90	FB 10 / FC 10
			VTL 2 - VTL 4 - VTL 5 - VTL 6 CC	DO 06 92	
				DO 06 93	

MINI PUMPSET TANKS



Art.	Tank	Weight	Pump	For:	Recommended filtre accessories
	Litres		Mod.	Switchgear	
DO 20 01	20	22	VTL 10 - VTL 10/F	D0 06 90	FB 20 / FC 20
			VTL 15/F - VTL 20/F - MV 20	D0 06 92	



Art.	Tank	Weight	Pump	For:	Recommended filtre accessories
	Litres		Mod.	Switchgear	
DO 20 02	20	22	VTL 5 - VTL 6 CC	D0 06 90	FB 20 / FC 20
				D0 06 92	
				D0 06 93	

3D drawings available at www.vuototecnica.net