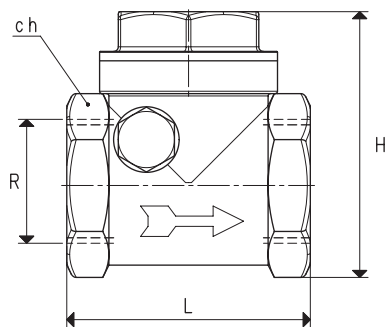


## CHECK VALVES

These unidirectional valves are made with bronze and brass with a seal in NBR nitrile rubber or, upon request, in Viton®.

To ensure a practical assembly they are available in two versions: horizontal and vertical.

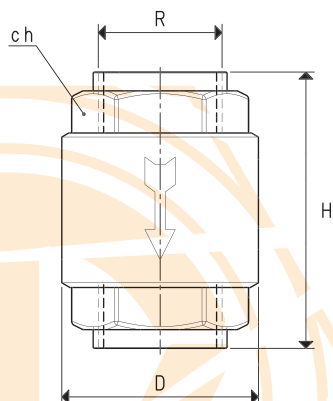
Fitted on the vacuum pump suction inlet, as soon as the latter stop, these valves prevent the air from returning in the plant (piping, tanks, autoclaves, vacuum gripping systems, vacuum cups, etc.), guaranteeing a perfect seal and preventing the oil from returning into the pump stator, which would cause considerable damages. Therefore, check valves are mandatory on all vacuum pumps with lubrication that do not have them built-in.



### HORIZONTAL

Art.	R Ø	Ch	H	L	Weight Kg
10 02 10	G3/8"	27	49	43	0.19
10 03 10	G1/2"	27	49	43	0.17
10 04 10	G3/4"	34	58	52	0.27
10 05 10	G1"	42	66	62	0.43
10 06 10	G1" 1/4	50	75	72	0.59
10 07 10	G1" 1/2	57	86	80	0.79
10 08 10	G2"	69	99	94	1.08

**Note:** To order the valve with Viton® seal, add the letter V to the article (E.g.: 10 02 10 V)



### VERTICAL

Art.	R Ø	Ch	D Ø	H	Weight Kg
10 01 11	G1/4"	21	28	47	0.10
10 02 11	G3/8"	25	35	59	0.17
10 03 11	G1/2"	26	35	58	0.12
10 04 11	G3/4"	33	42	65	0.28
10 05 11	G1"	40	48	74	0.42
10 06 11	G1" 1/4	50	61	82	0.64
10 07 11	G1" 1/2	55	71	92	0.87
10 08 11	G2"	70	87	100	2.70

**Note:** To order the valve with Viton® seal, add the letter V to the article (E.g.: 10 02 11 V)

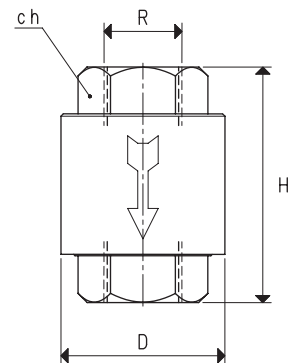
## MEMBRANE CHECK VALVES

These valves have the same features of the other check valves, but they are made with anodised aluminium, which makes them particularly light. The seal is guaranteed by a EPDM membrane instead of the metal shutter with NBR seal.

For these features and for their modern design, they are recommended for pneumatic vacuum generators and, of course, on vacuum pumps.



Art.	R Ø	Ch	D Ø	H	Weight g
10 01 15	G1/4"	20	30	42	46
10 02 15	G3/8"	24	35	50	74
10 03 15	G1/2"	24	37	55	86
10 04 15	G3/4"	33	42	64	110
10 05 15	G1"	40	49	74	162



## MANUAL 2-WAY MINIATURE VACUUM VALVES

These small manual valves are suited for intercepting vacuum on vacuum cup holders and any small utility in which solenoid valves cannot be installed. They feature a hexagonal nickel-plated brass body, a chromed brass ball shutter and a seal in plastic material to guarantee a perfect seal. A lever on the ball shutter, rotated by 90°, allows opening or closing the valve with no effort.



Art.	D Ø	Ch	E	F	H	Weight g
13 01 11	G1/4"	21	7	32	39	80
13 02 11	G3/8"	21	10	30	40	74
13 03 11	G1/2"	25	12	33	45	110

