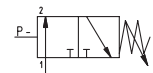
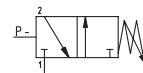
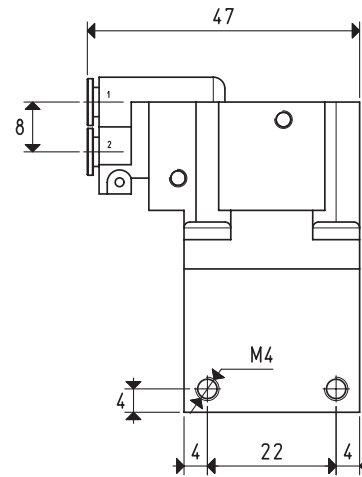
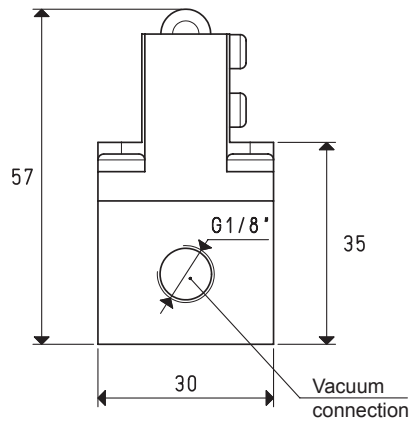
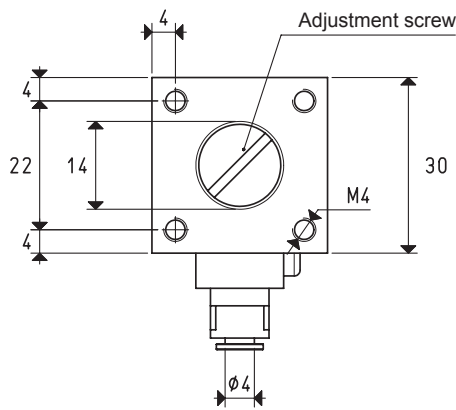


MINI PNEUMATIC VACUUM SWITCH

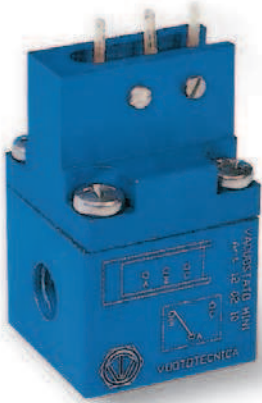
These vacuum switches feature reduced overall dimensions and, according to the model, they give or remove a pneumatic signal when a certain adjustable vacuum level is reached. The pressure differential between the set maximum value and the value of reset of the rest signal is not adjustable. They are particularly suited for controlling vacuum generators and for activating pneumatic valves.



3D drawings available at www.vuototecnica.net

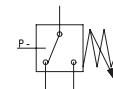
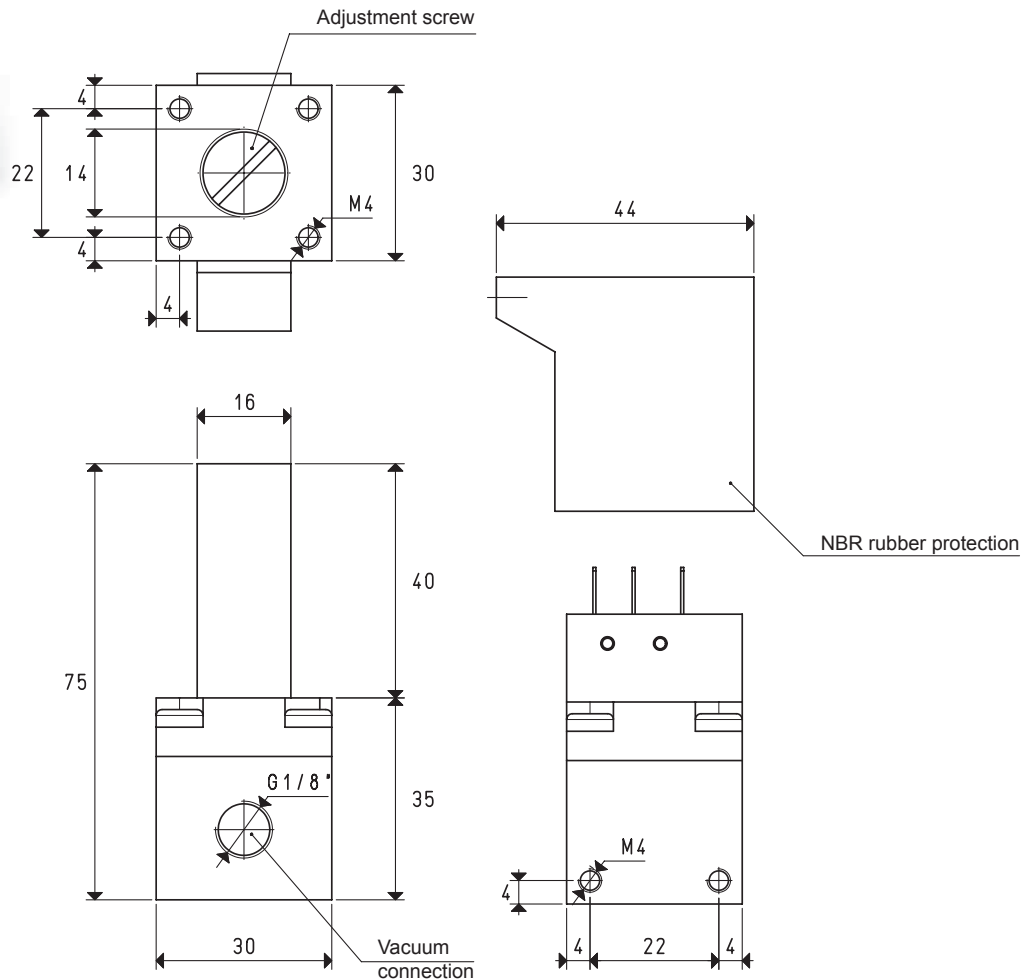
Art.		12 01 30	12 02 30
Adjustment range	mbar abs.	930 ÷ 50	900 ÷ 40
Fixed differential	mbar	70	100
Repeatability	mbar	±5	±5
Idle signal		NC	NO
Supply pressure	bar (g)	2 ÷ 8	2 ÷ 8
Pneumatic microvalve	art.	00 12 17	00 12 18
Max. capacity of the 6 bar (g) microvalve	NI / s	1.2	1.2
Working temperature	°C	-10 ÷ +60	-10 ÷ +60
Weight	g	104	102

MINI ELECTROMECHANICAL VACUUM SWITCHES



These vacuum switches feature reduced overall dimensions and give an electric signal when a certain adjustable vacuum level is reached. The pressure differential existing between the set maximum value and the value of reset of the rest signal is $50 \div 60$ mbar and it is not adjustable.

They are particularly suited when an electrical signal is needed when a certain vacuum level is reached, for safety, for starting a cycle, for checking the cup grip, etc.



Art.		12 02 10
Adjustment range	mbar abs.	$930 \div 10$
Fixed differential	mbar	$50 \div 60$
Repeatability	mbar	$\pm 1,5$
Microswitch	art.	00 12 12
Contacts		one change-over
Contact capacity	A	3 a 250 V in A.C.
Electrical connections		110-type fast-on terminals
Working temperature	$^{\circ}\text{C}$	$-25 \div +80$
Protection		IP 55
Weight	g	102

Conversion ratio: inch = $\frac{\text{mm}}{25,4}$; pounds = $\frac{\text{g}}{453,6}$ = $\frac{\text{Kg}}{0,4536}$

GAS-NPT thread adapters available at page 1.117

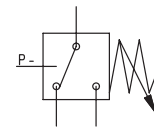
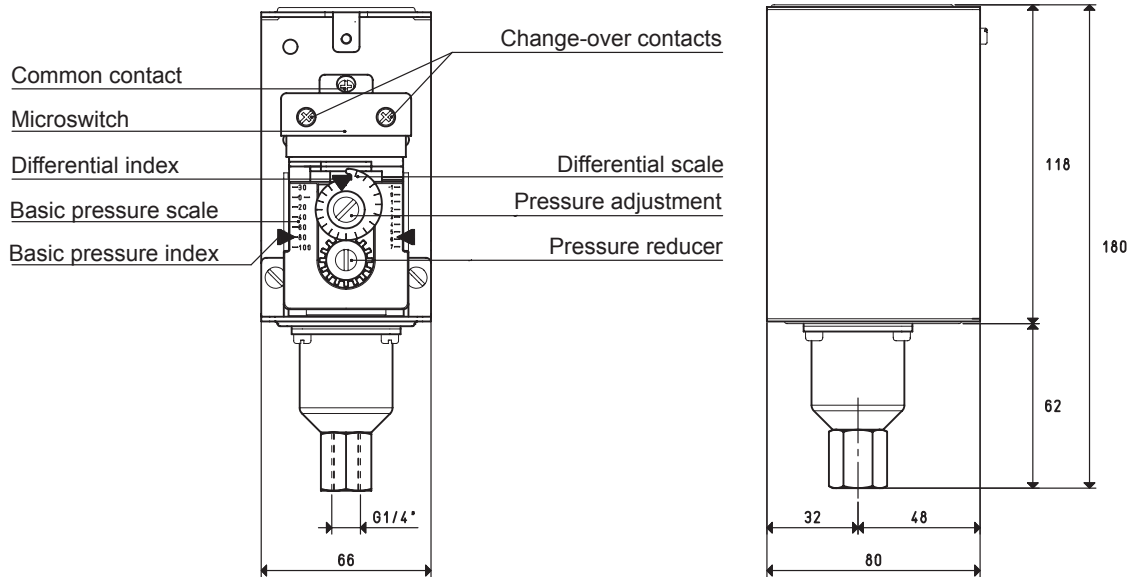
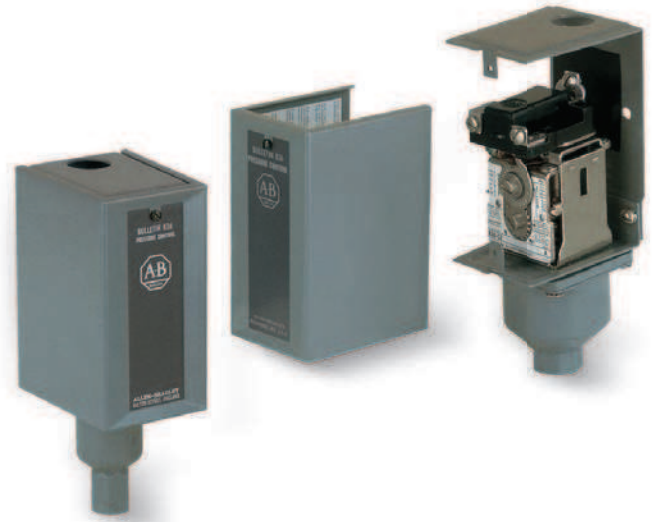
ELECTROMECHANICAL VACUUM - PRESSURE SWITCHES

The vacuum - pressure switches of the 836 series are compact, sturdy and accurate units that can be adapted to many applications. The feature of the control is a quick tripping precision microswitch, equipped with silver contacts. Normal industrial vibrations have no effect on the efficient opening and closing of the contacts.

The particular linear construction, relatively friction free, assures a precise and reliable operation independent of the pressure switch mounting angle.

The "Long Life" bellows with which they are equipped, are made of copper alloy and can be used for air, water, oil, liquid, vapour and gas circuits, provided that all these agents are not corrosive.

These devices are included in the U.L. lists and approved by C.S.A.



Art.		836 - C6A	836 - C2A
Adjustment range	bar abs.	0 ÷ 8	0 ÷ 1.7
Adjustable differential	mbar	from 133 to 1200	from 26 to 280
Max. line pressure	bar abs.	21	4.5
Repeatability	measuring range %	±0.5	±0.5
Contacts		one change-over	
Contact features		unipolar with double interruption	
		125 VA with ac from 24 to 600 Volts	
		57.5 VA with ac from 115 to 230 Volts	
		Rated current for non inductive loads	
		5 a 240 V in A.C.	
		3 a 600 V in A.C.	
		with terminals	
		-25 ÷ +70	
		IP 54	
Contact capacity	A		
	A		
Electrical connections			
Working temperature	°C		
Protection			
Weight	Kg	0.984	1.130

3D drawings available at www.vuototecnica.net